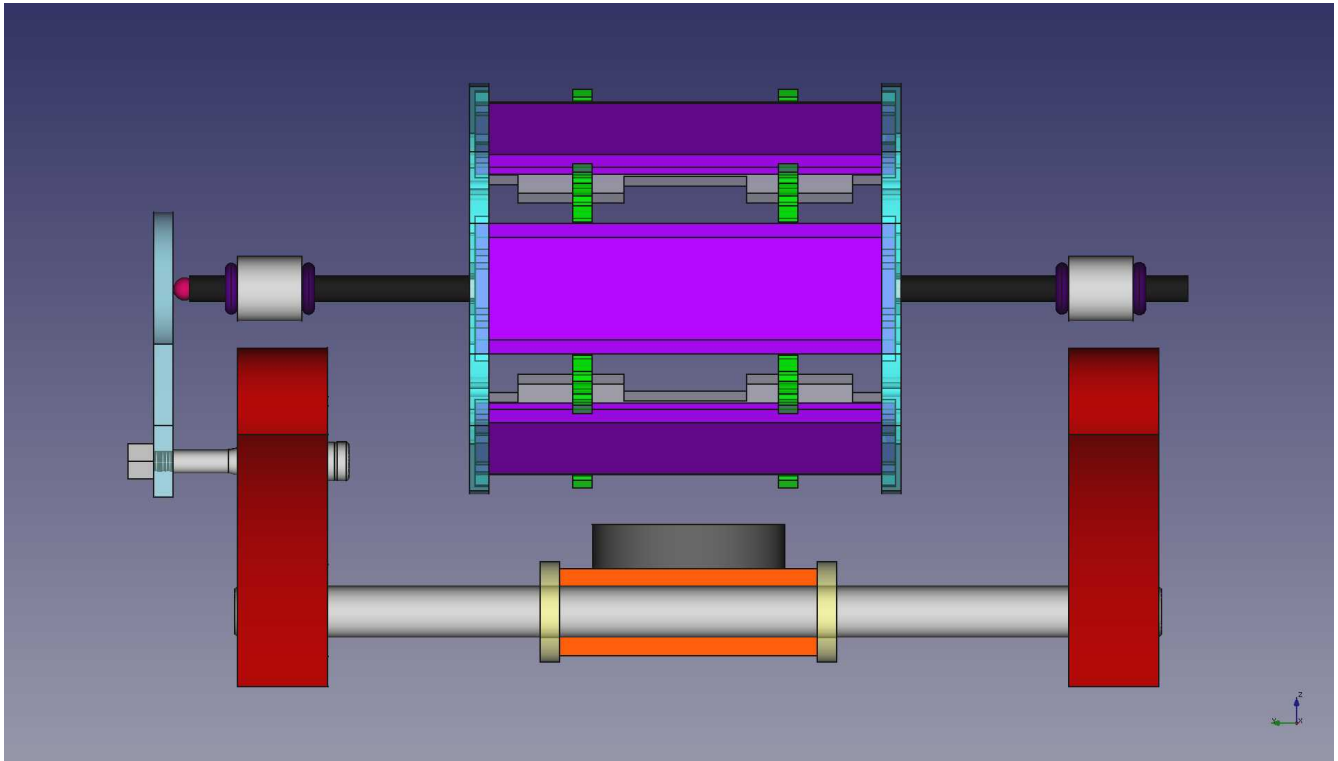


Mendocino Motor

Model: Evolution



Contains

Warning!.....	3
Attention.....	4
Part list.....	5
Check list.....	7
Magnetism.....	8
Compass needle points always north.....	8
Opposite poles attract.....	9
Similar poles repel.....	9
Assemble Instruction.....	10
Prepare the brackets.....	10
Place the magnets.....	11
Assemble the bracket A.....	12
assembled.....	13
Assemble the magnet holder.....	14
assembled.....	15
Put together the bracket and the aluminum bar.....	16
Place the magnetic holder.....	16
Put on the bracket B.....	17
Configuration of the Magnets as instructed.....	18
alternative configuration of the magnets.....	18
Put together the spool.....	19
Insert the shaft.....	20
Coil winding.....	21
winding start.....	21
winding turns.....	22
winding end.....	23
Prepare the wires.....	24
Mounting the solar cells (use a tape to fix the cell).....	24
Solder the wire.....	25
coil one.....	25
coil two.....	26
coil three.....	26
Assemble the rotor.....	27
assembled.....	28
Adjust the magnets.....	28
Grease the stop plate.....	29
Rotor balance.....	30
Solution 1 Solution 2.....	30

Warning!



Magnets are **not suitable for children**, keep the magnets out of reach of children and leave the magnets never unattended (**choking hazard**).

Magnets could damage your electronic devices like clock and watches, speakers etc.



Risk of crushing of fingers/hand by handling the magnets!

Never drill or saw into the magnets (fire hazard) and danger of flying splinters or saw dust.



Magnets could cause data losses, please keep away credit cards, hard disks, floppy disks, storage devices, video – music tapes etc.



Magnets may affect negatively on cardiac pacemakers (**acute danger to life**) . Please keep a distance!

Attention

We take no responsibility for any injury or damage as a result of assembling this kit.

Exclusively Swiss law comes into application. The court of jurisdiction for any claims against the business CHK-Creative or my personality is 9320 Arbon (Switzerland).

Part list



01. Bracket A



02. Bracket B



03. Magnet holder



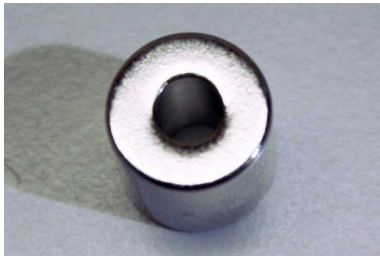
04. Magnet 10 Ø



05. Magnet 20 Ø



06. Magnet 30 Ø



07. Magnet 10 Ø (hole)



08. Female screws



09. Bolts



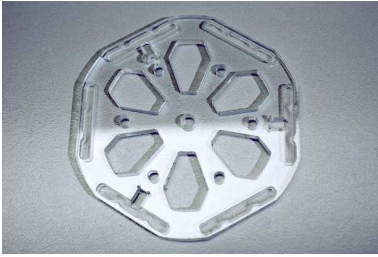
10. Washer



11. End sleeve



12. Studding



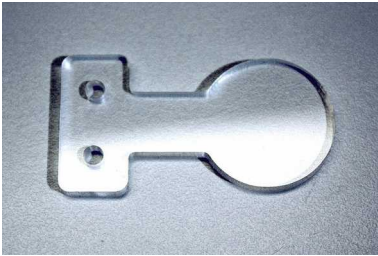
13. Reel cover



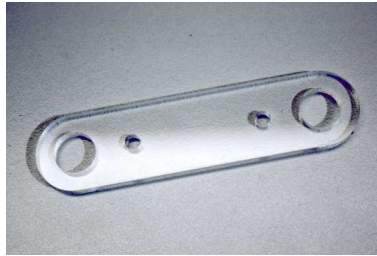
14. Spool head



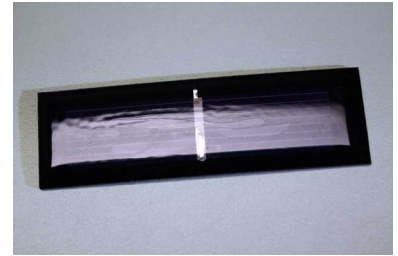
15. Spool bridge



16. Stop plate



17. Magnet holder bridge



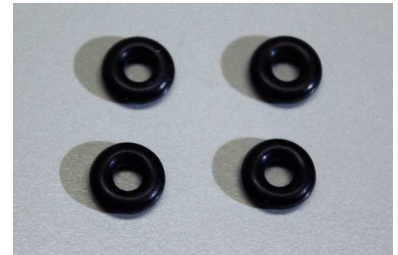
18. Solar cell



19. Knob



20. Shaft



21. Gummy ring



22. Stop collar



23. Aluminum bar



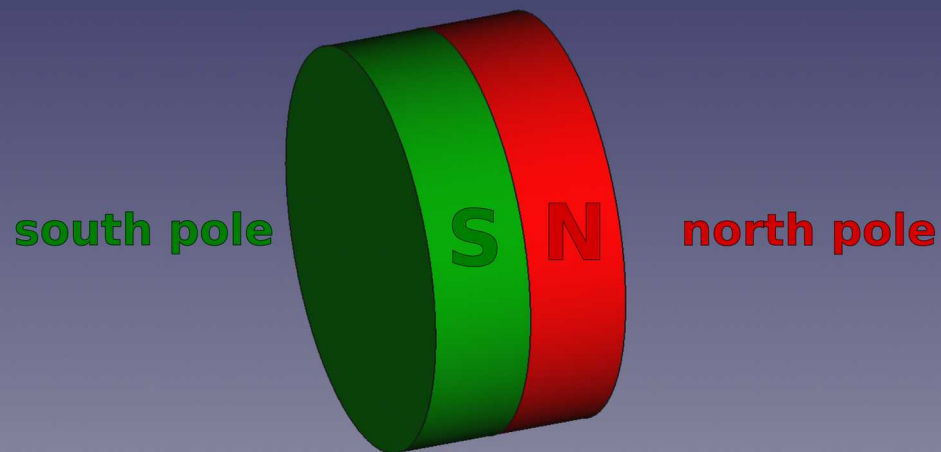
24. Copper filament

Check list

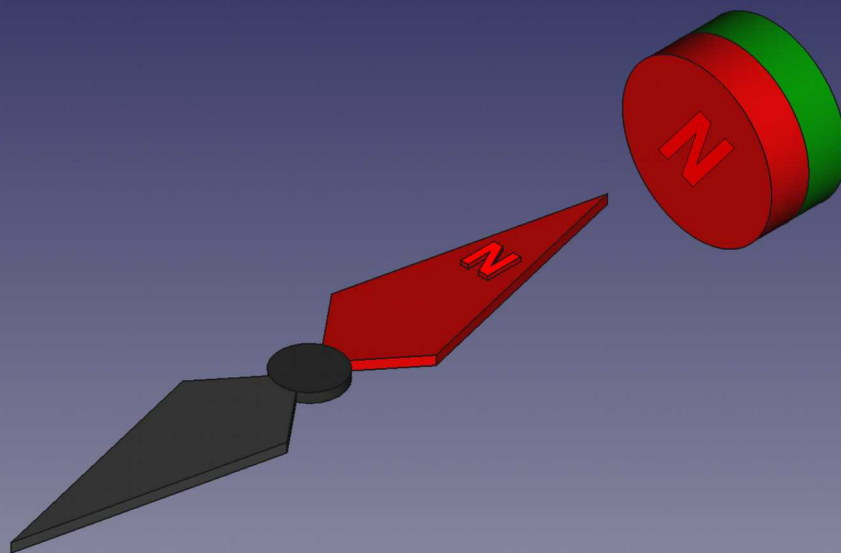
Pos.	Material	quantity	I.o
1	Bracket A (wood)	1	
2	Bracket B (wood)	1	
3	Magnet holder (wood)	1	
4	Magnet Ø 10 mm, h 10 mm	4	
5	Magnet Ø 20 mm, h 6 mm	1	
6	Magnet Ø 30 mm, h 10 mm	1	
7	Magnet Ø 10/4 mm, h 10 mm	2	
8	Female screws	6	
9	Bolts	2	
10	Washer	2	
11	End sleeve	2	
12	Studding	2	
13	Reel cover (acrylic glass)	2	
14	Spool head (acrylic glass)	2	
15	Spool bridge (acrylic glass)	3	
16	Stop plate (acrylic glass)	1	
17	Magnet holder bridge (acrylic glass)	2	
18	Solar cell	6	
19	Knob (pin)	1	
20	Shaft Ø 4 mm	1	
21	Gummy ring	4	
22	Stop collar	2	
23	Aluminum bar	2	
24	Copper filament	1	

Magnetism

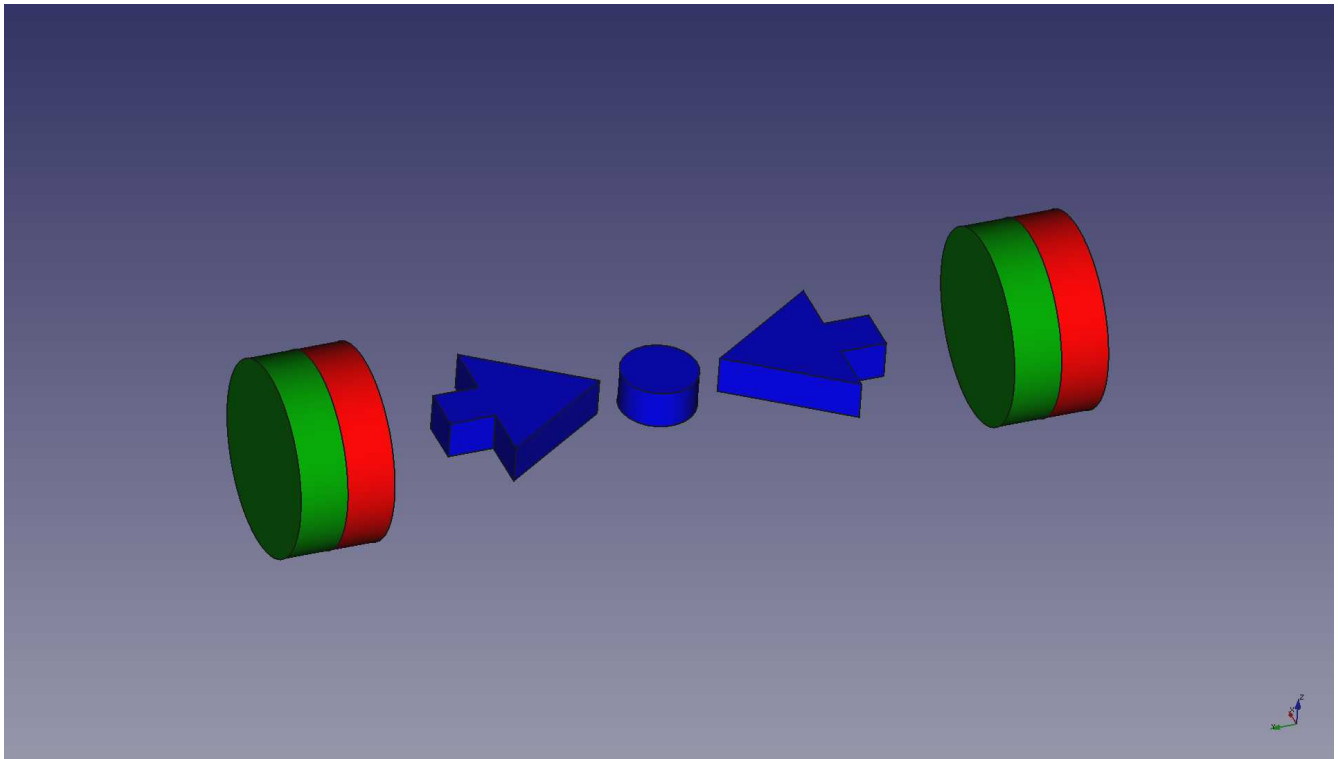
Magnet



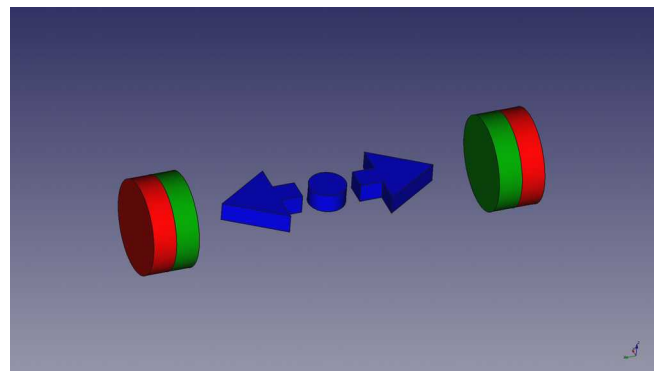
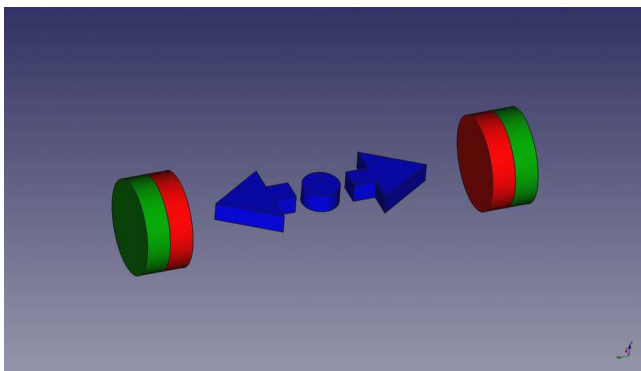
Compass needle points always north



Opposite poles attract

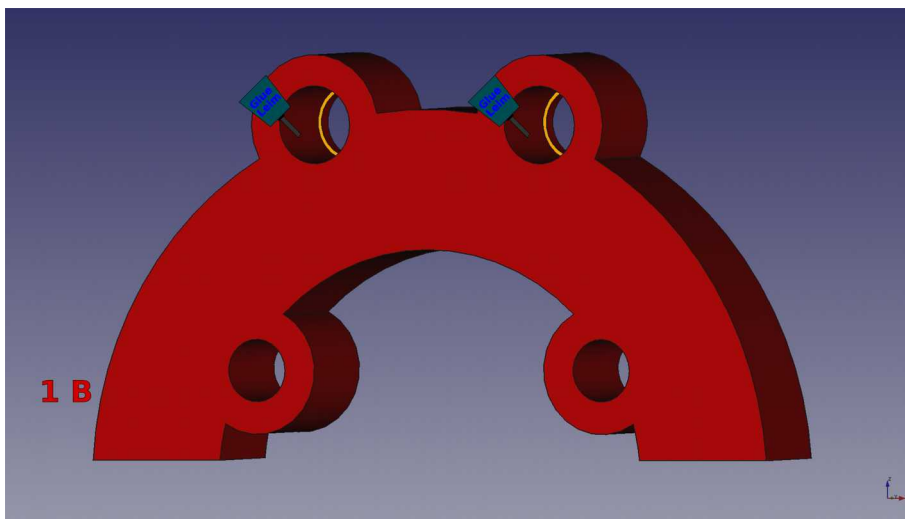
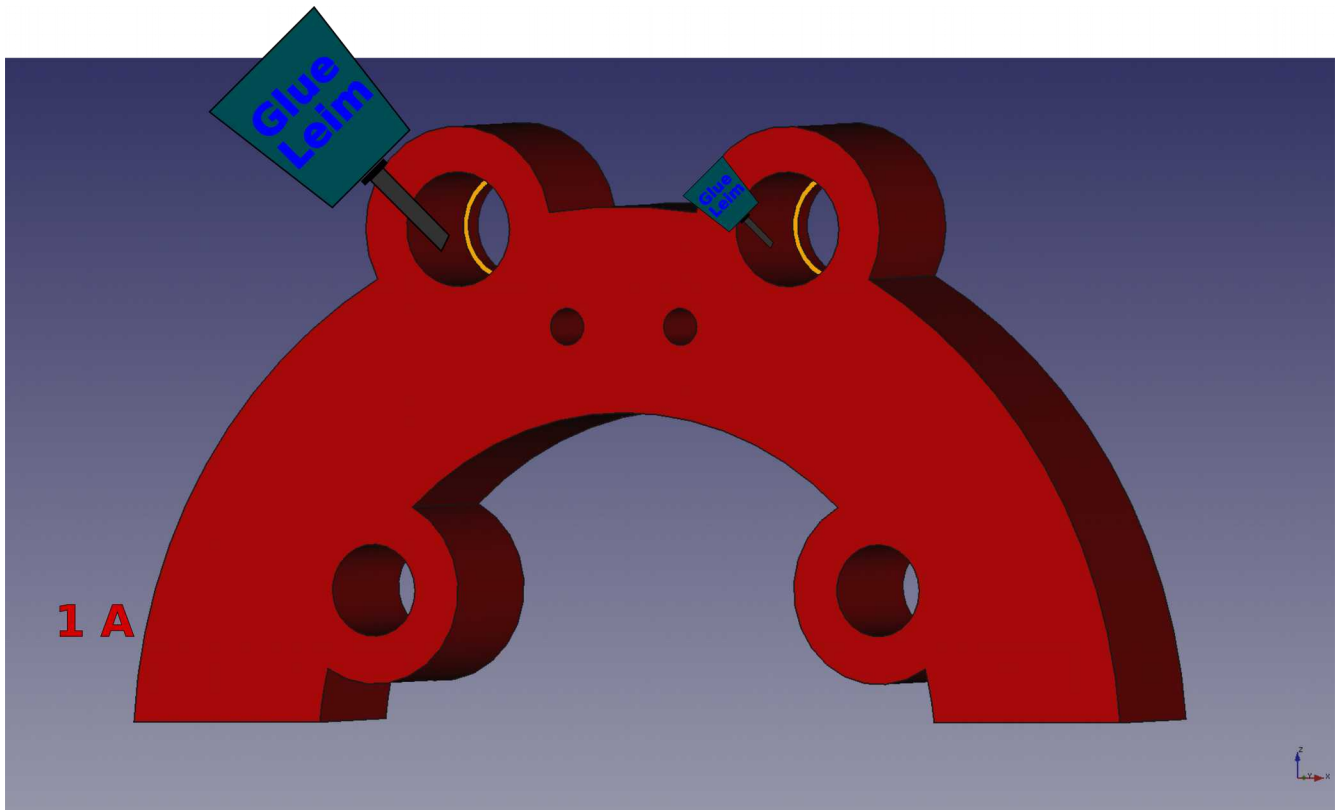


Similar poles repel

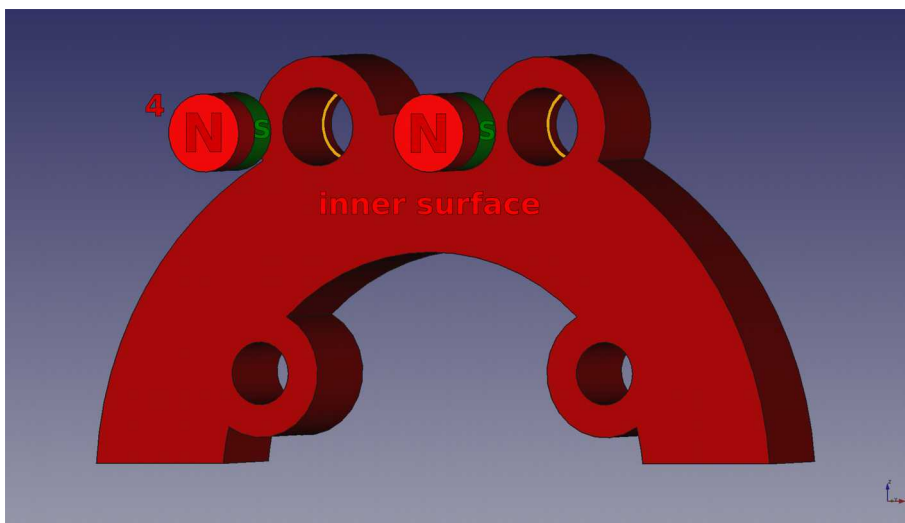
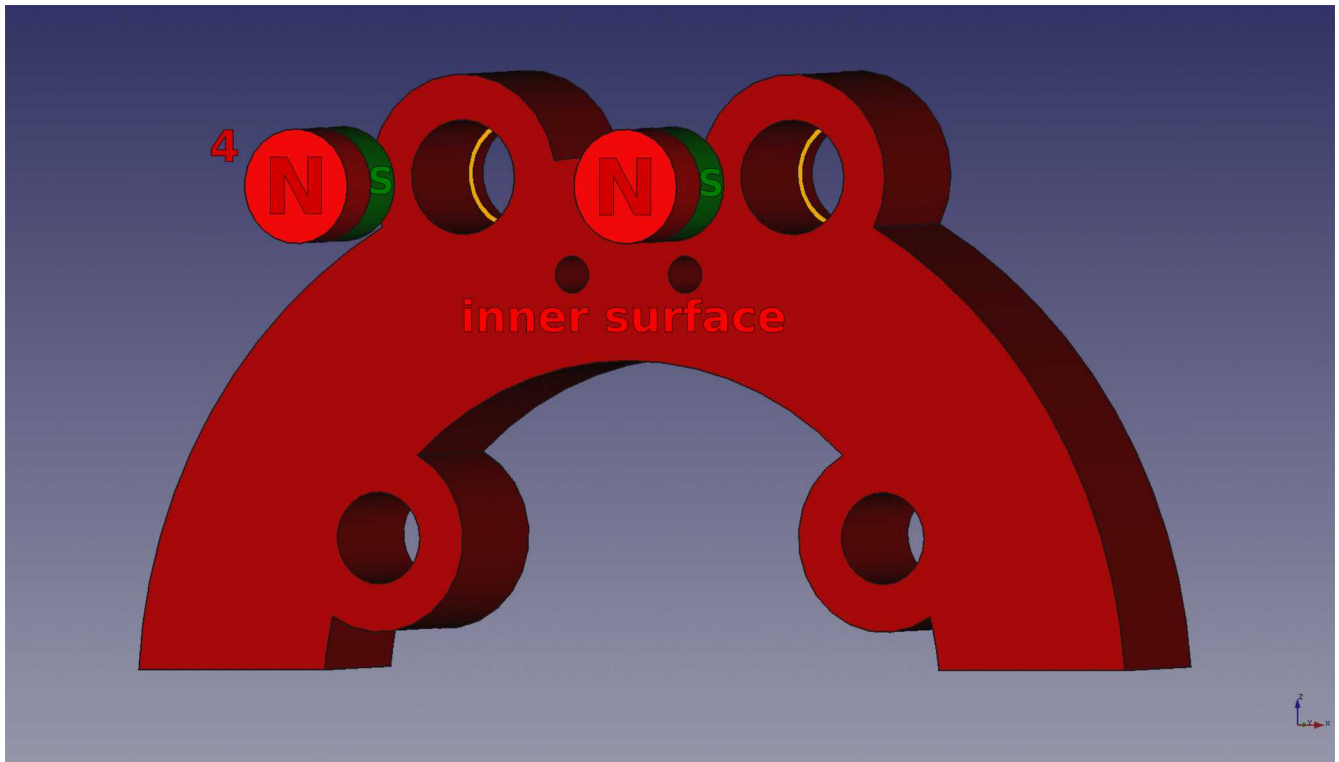


Assemble Instruction

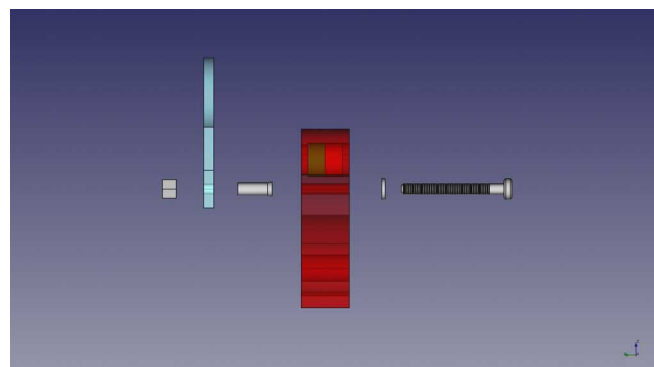
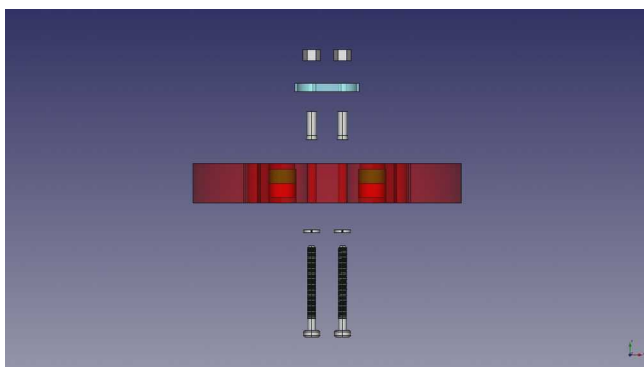
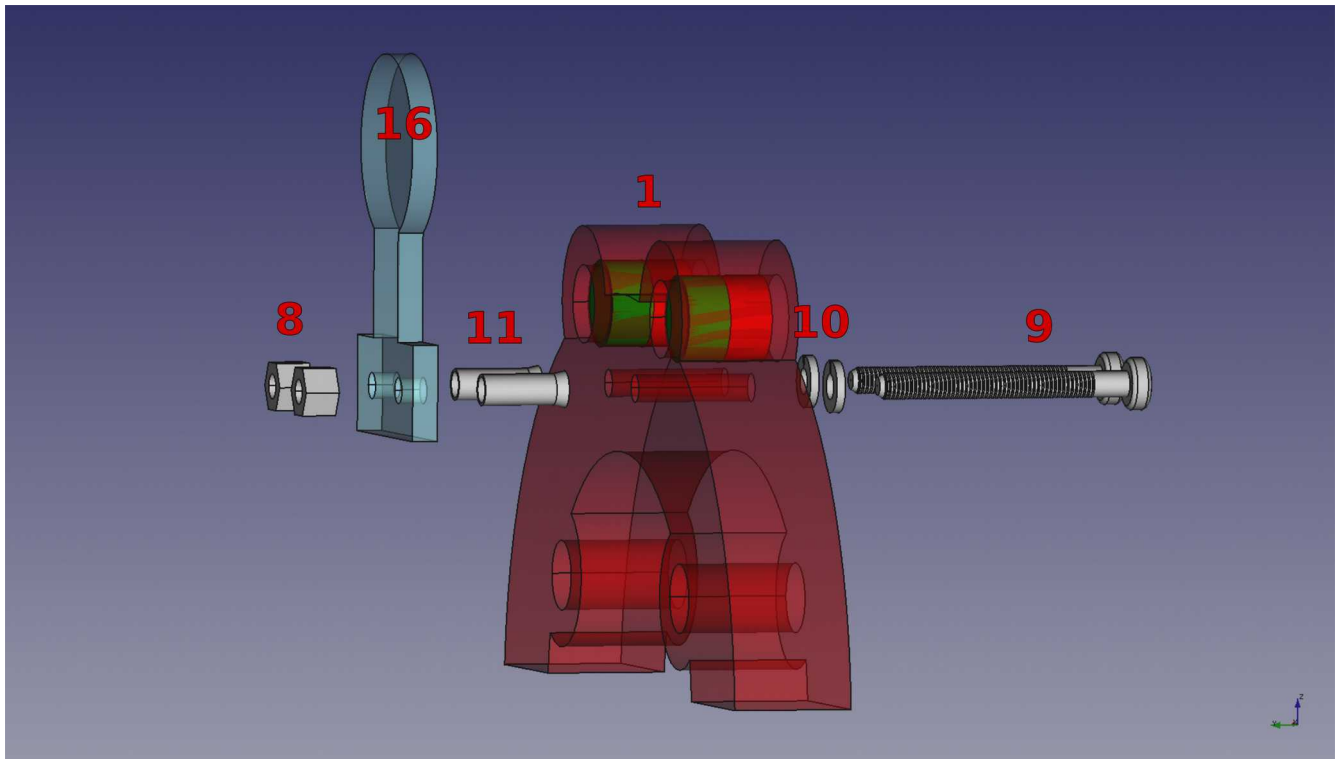
Prepare the brackets



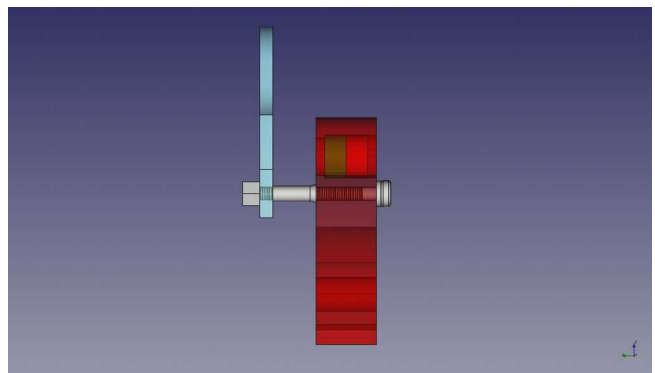
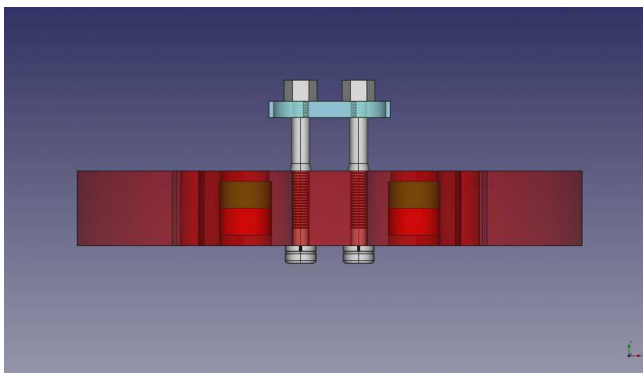
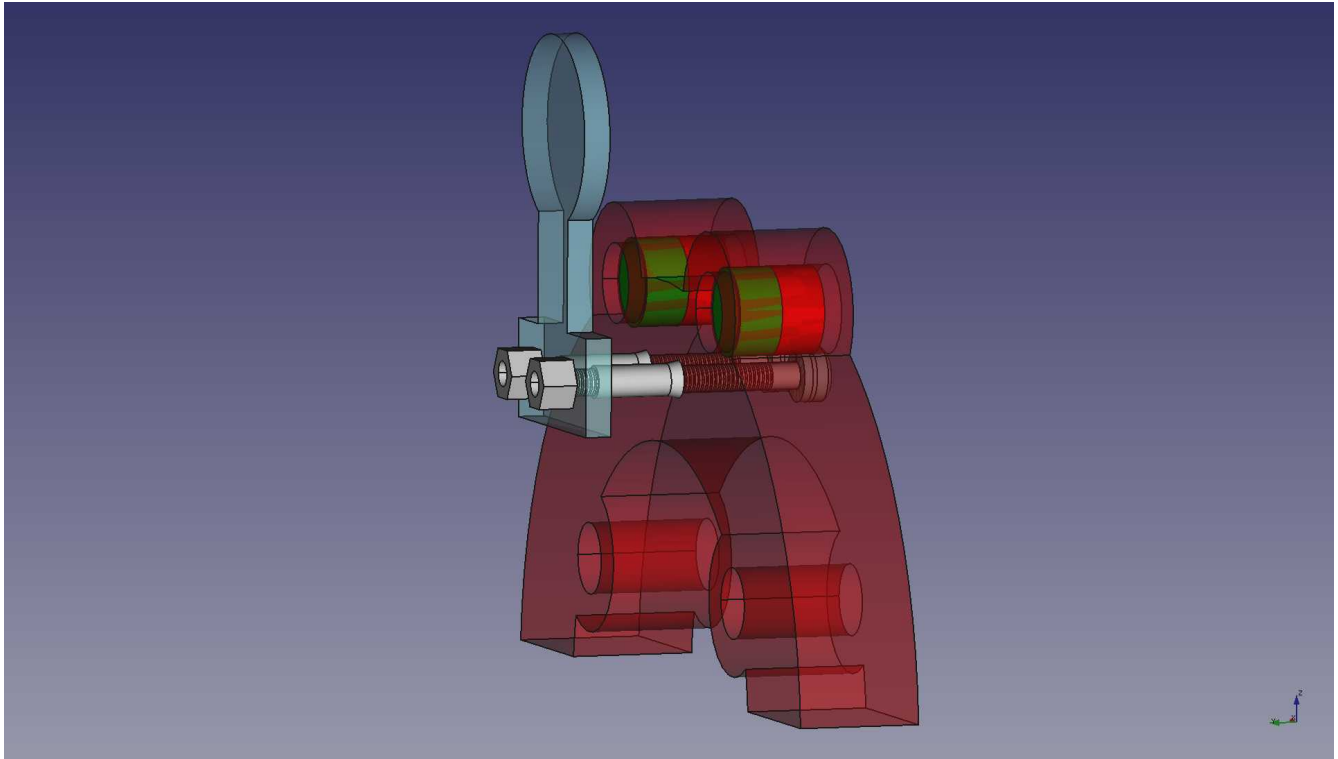
Place the magnets



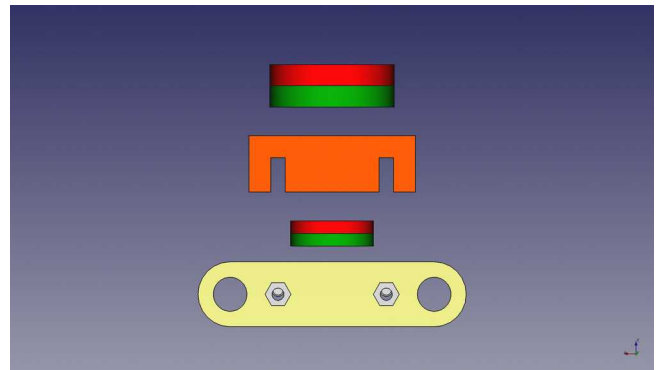
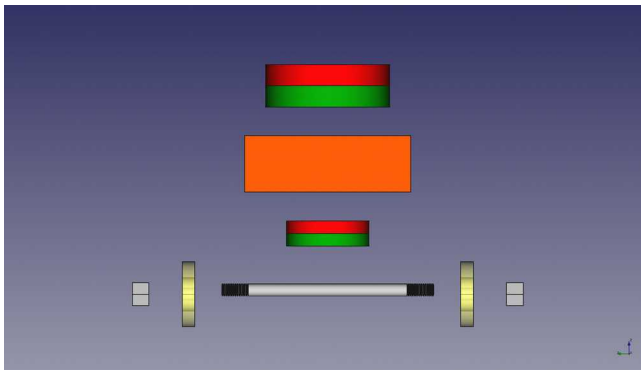
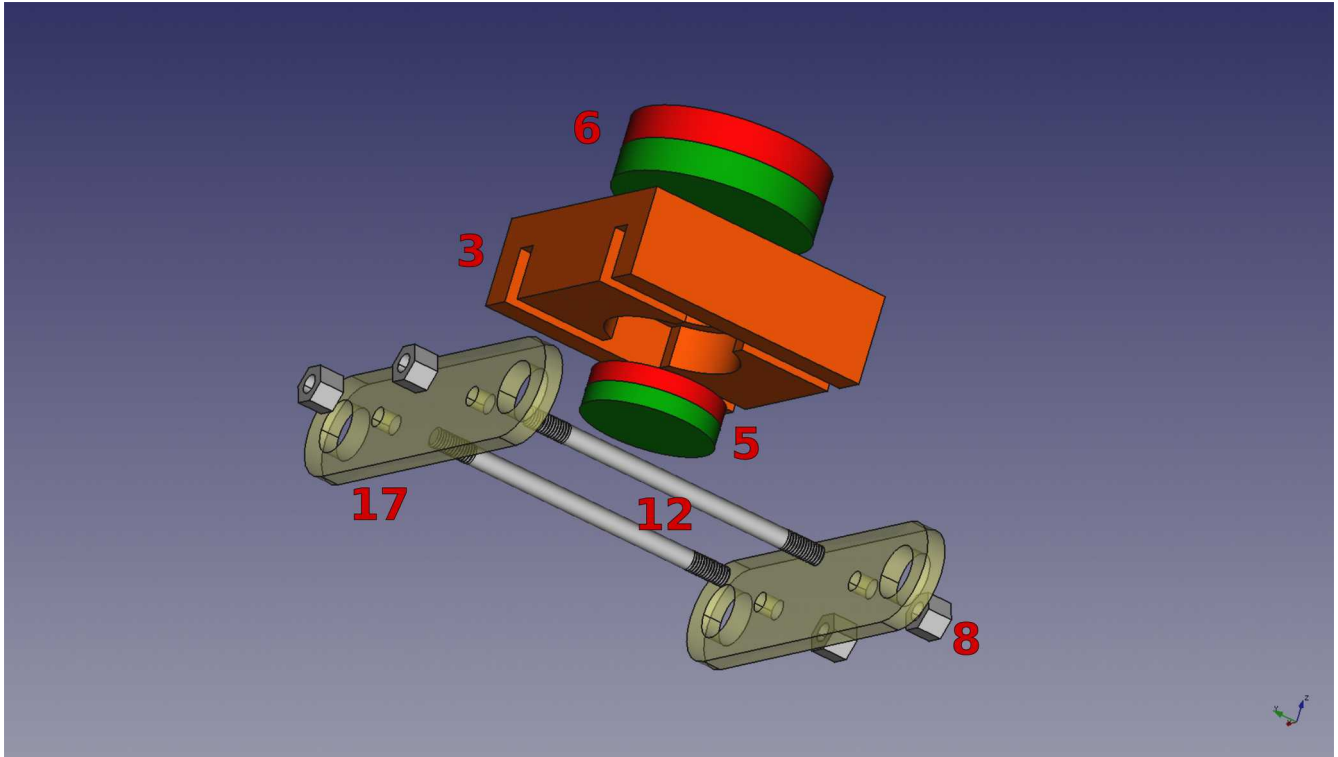
Assemble the bracket A



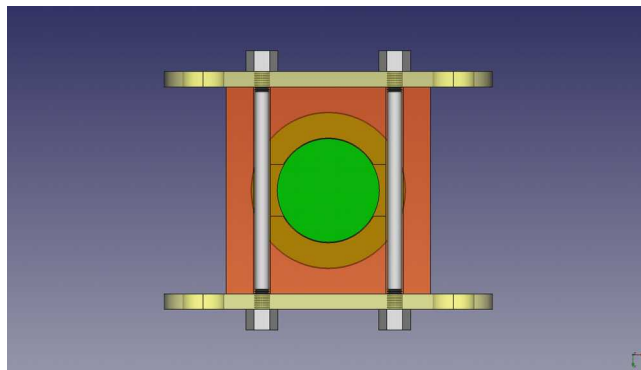
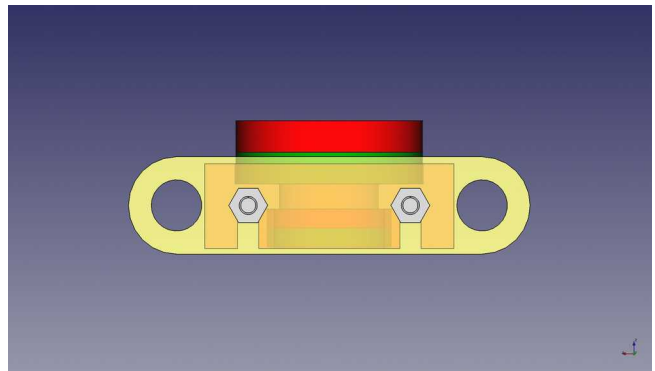
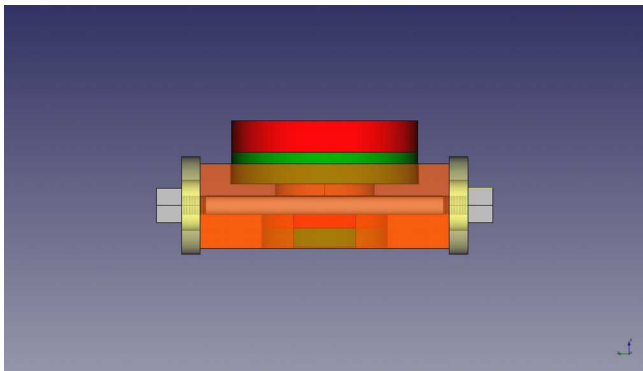
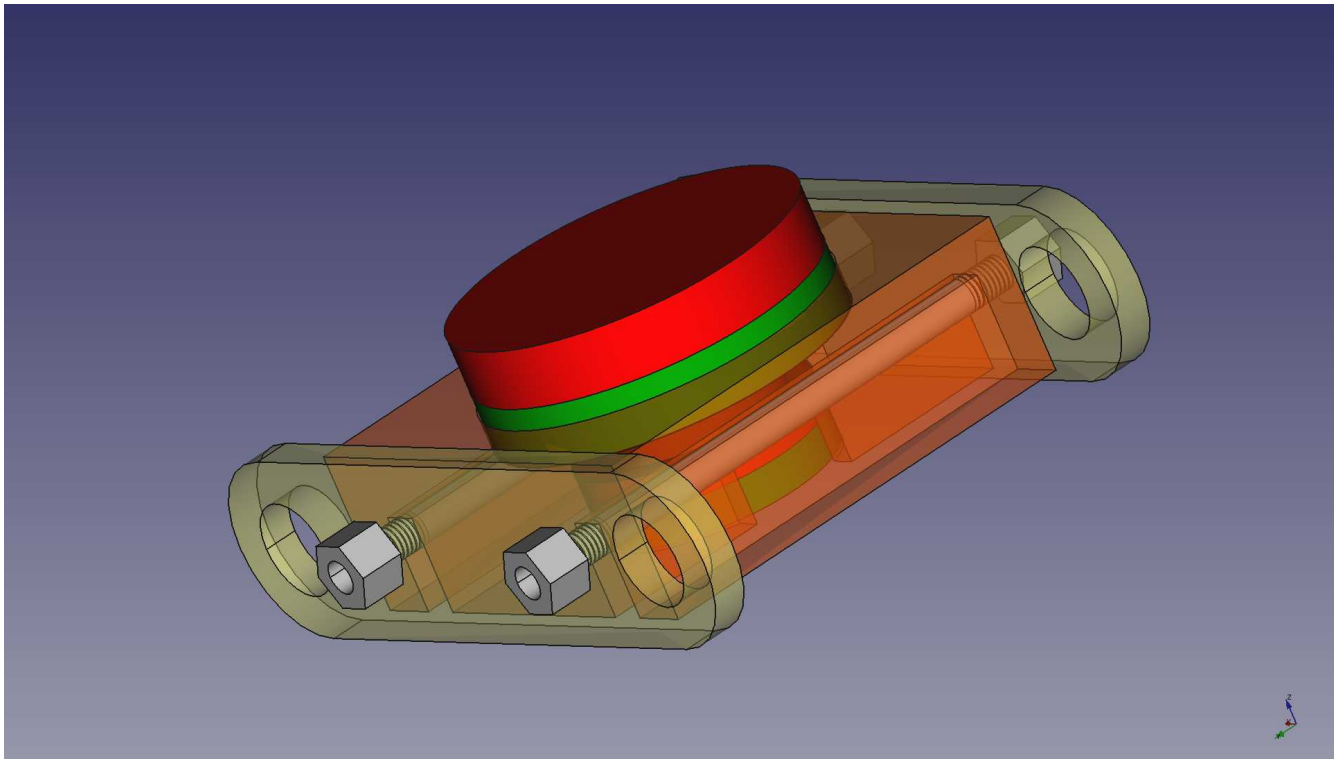
assembled



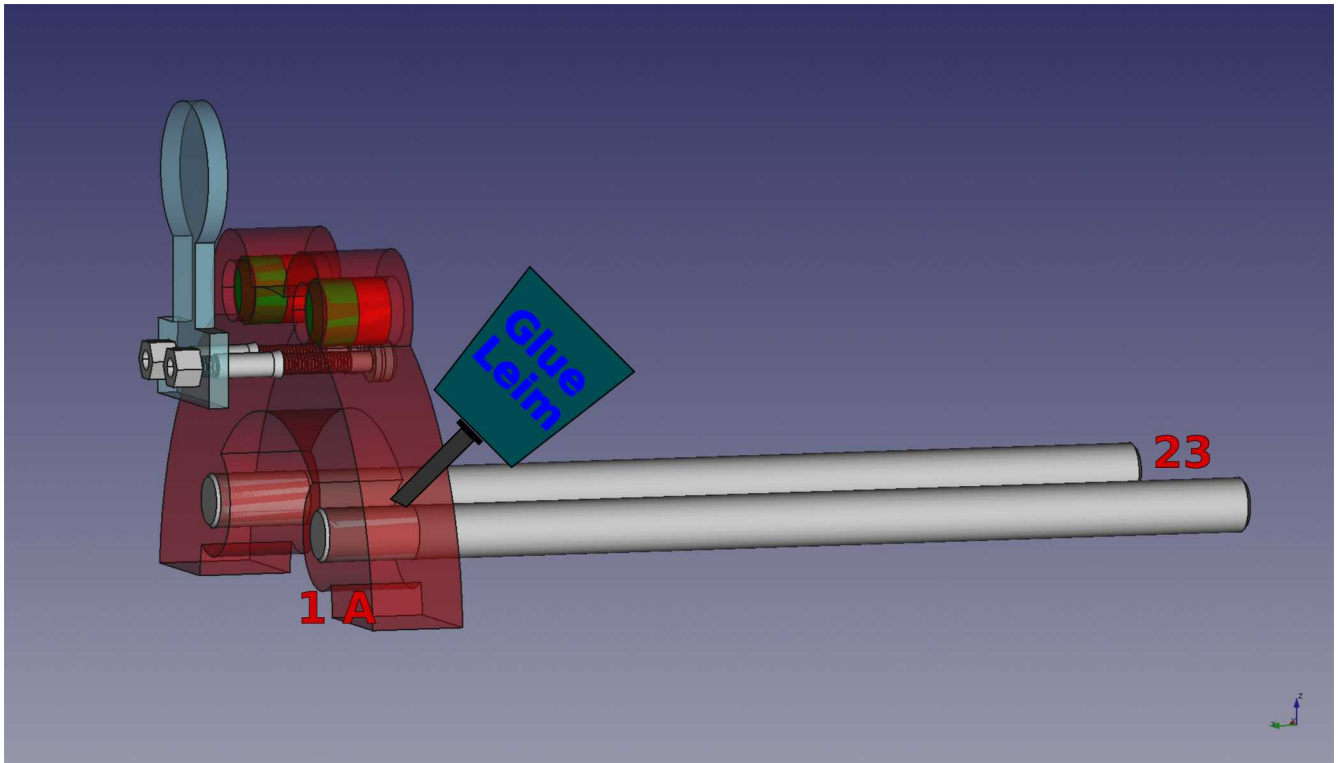
Assemble the magnet holder



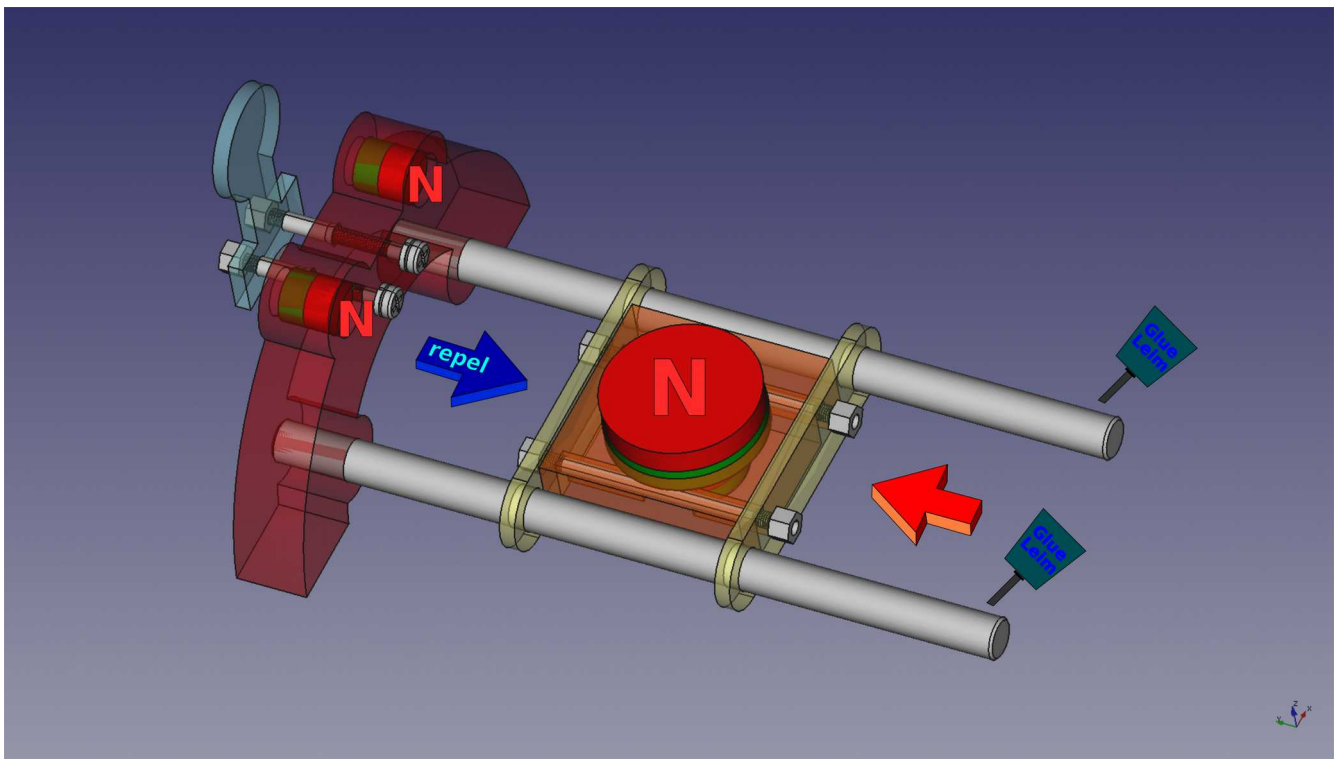
assembled



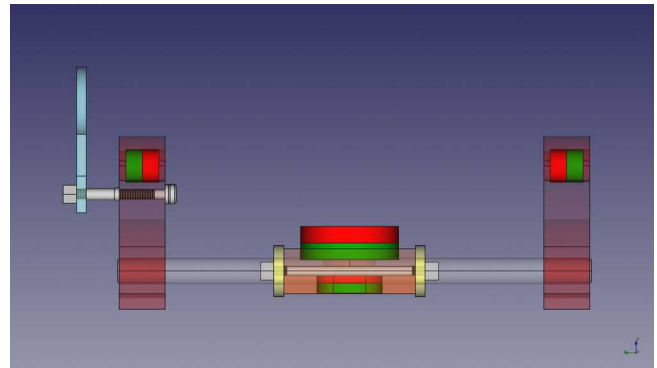
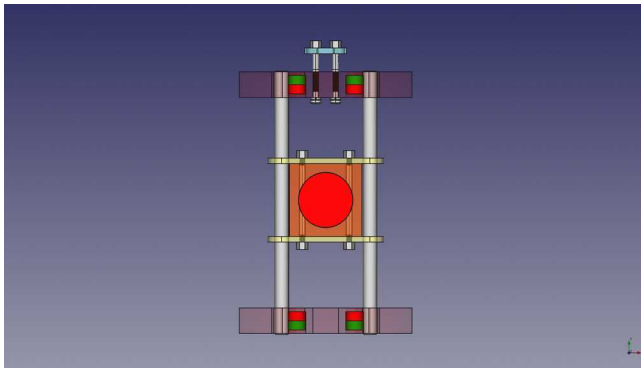
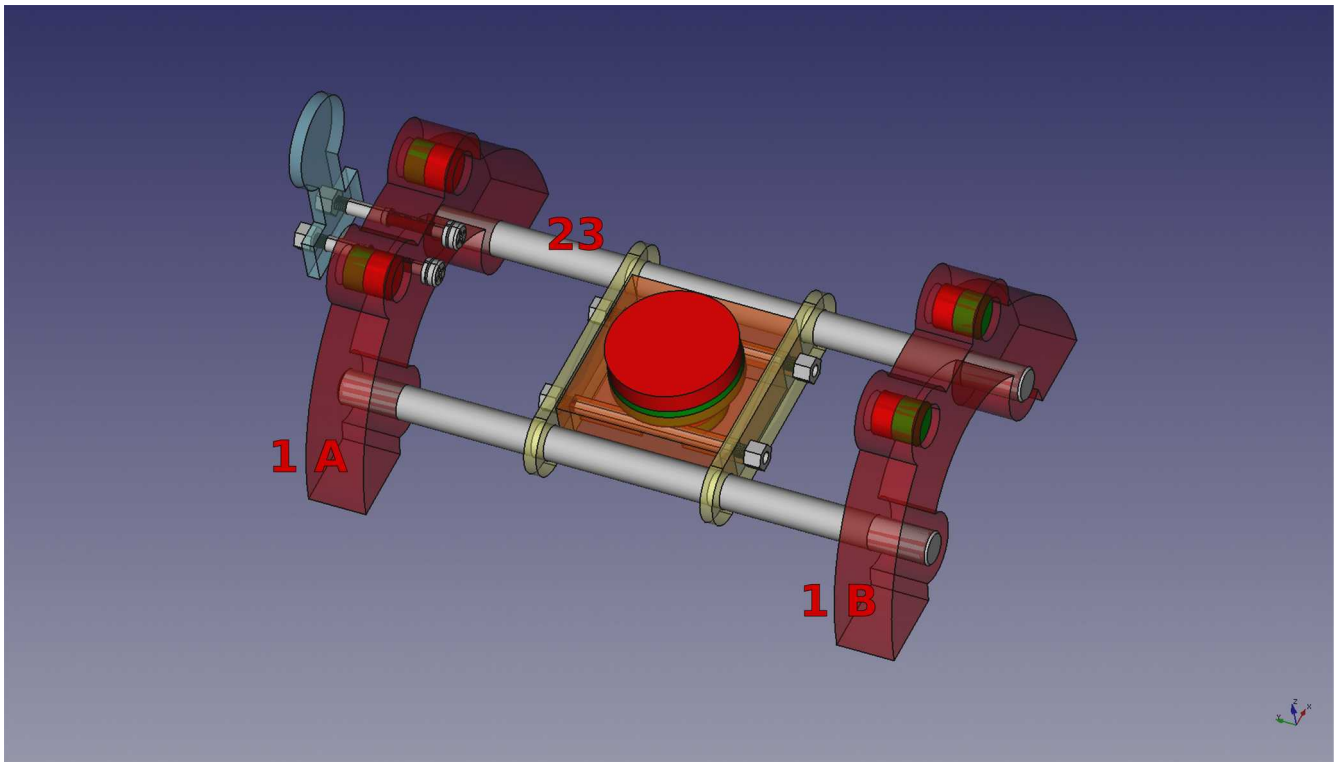
Put together the bracket and the aluminum bar



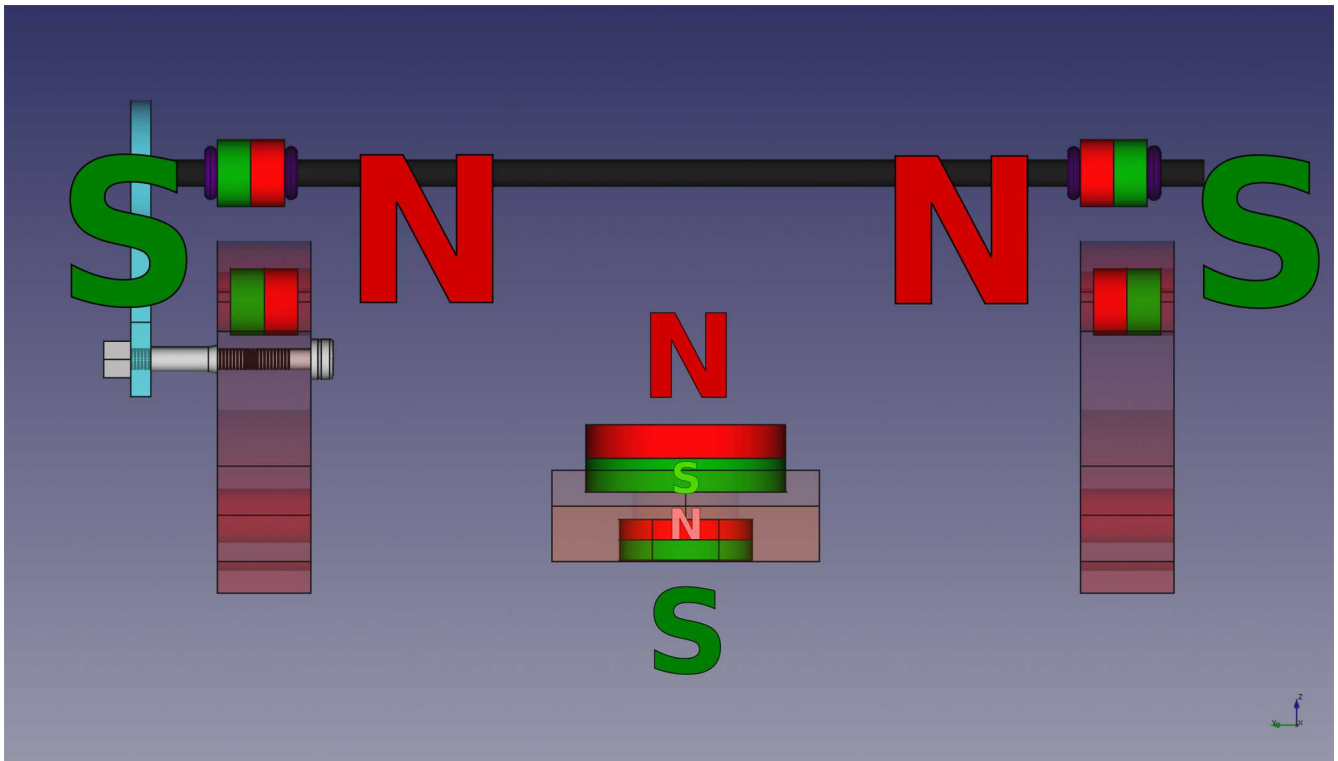
Place the magnetic holder



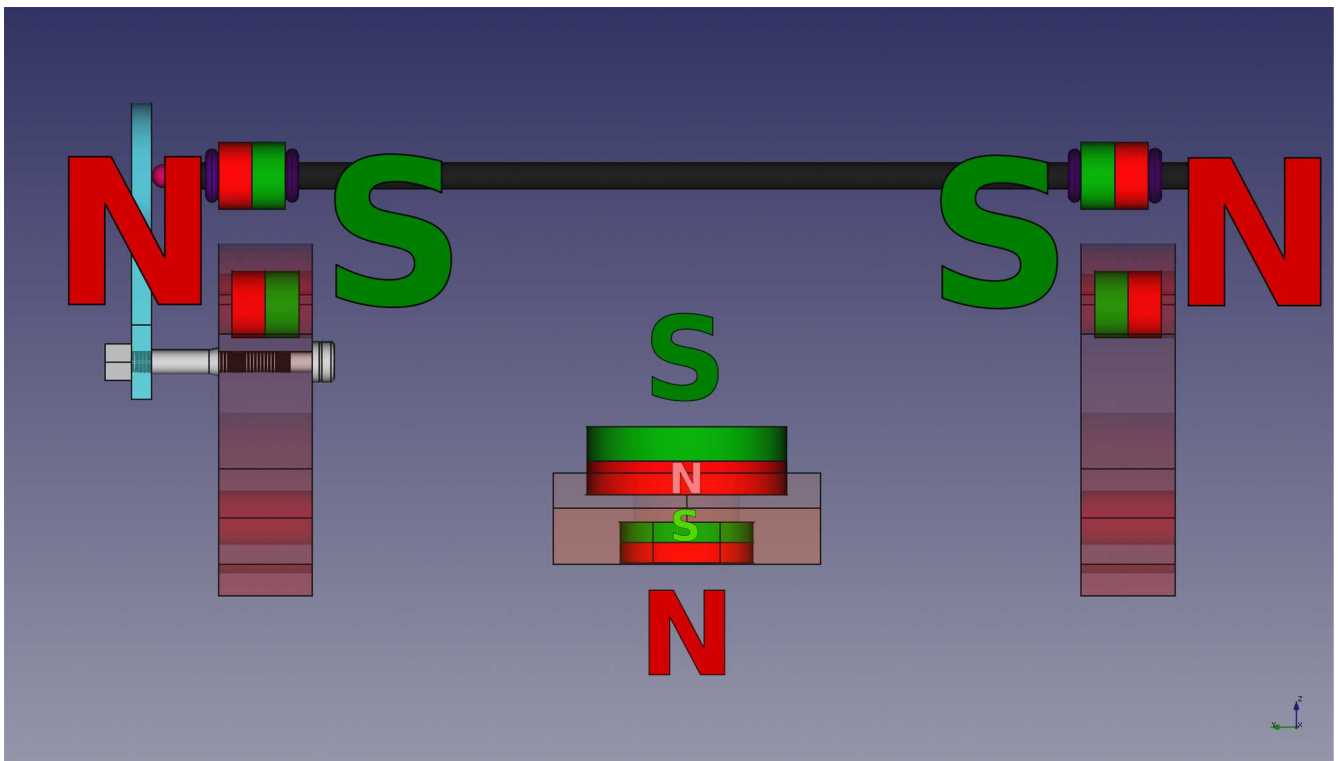
Put on the bracket B



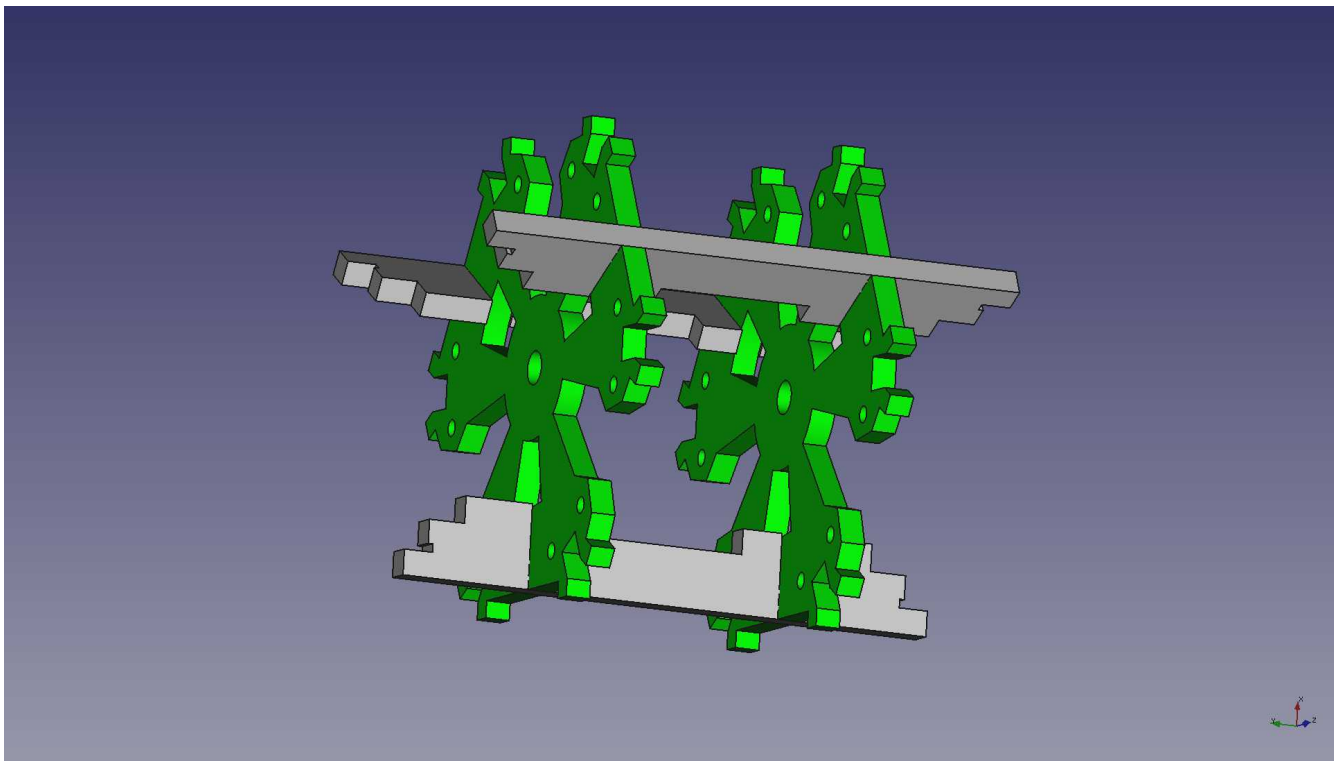
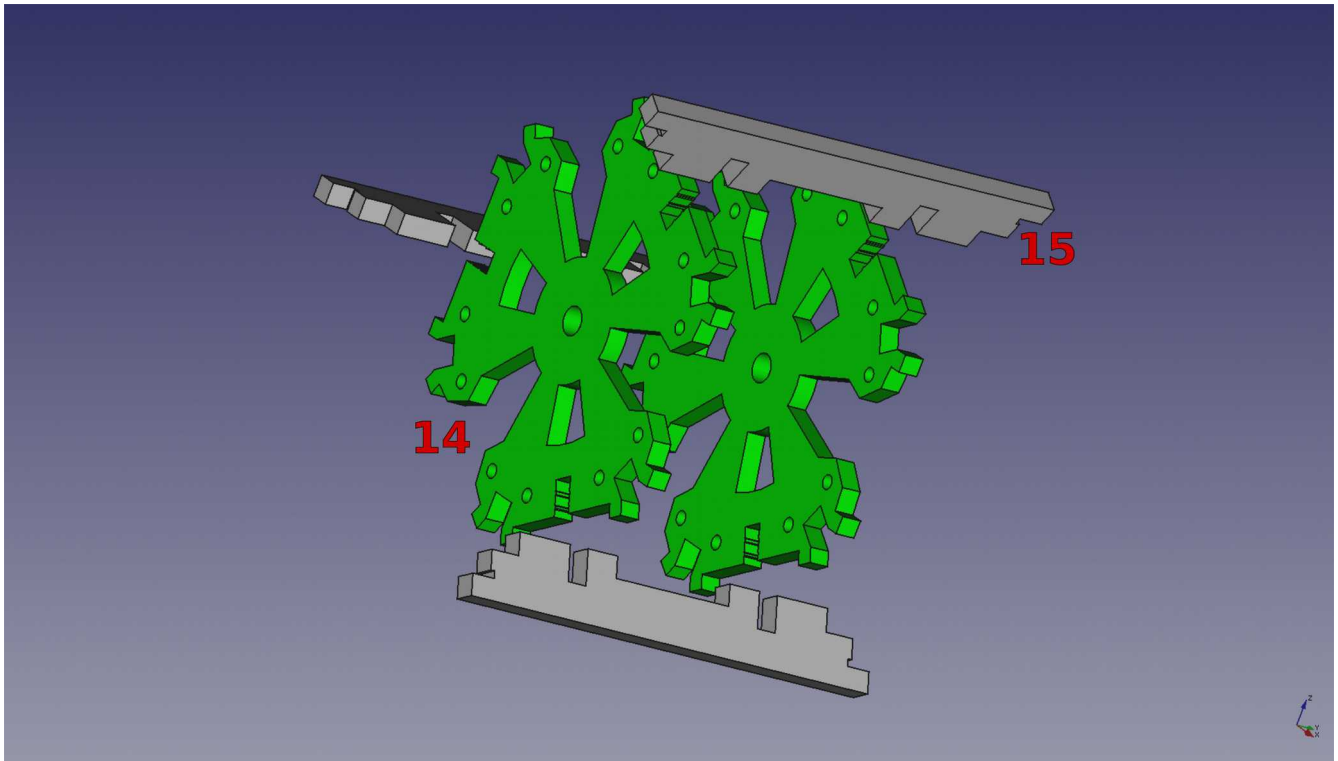
Configuration of the Magnets as instructed



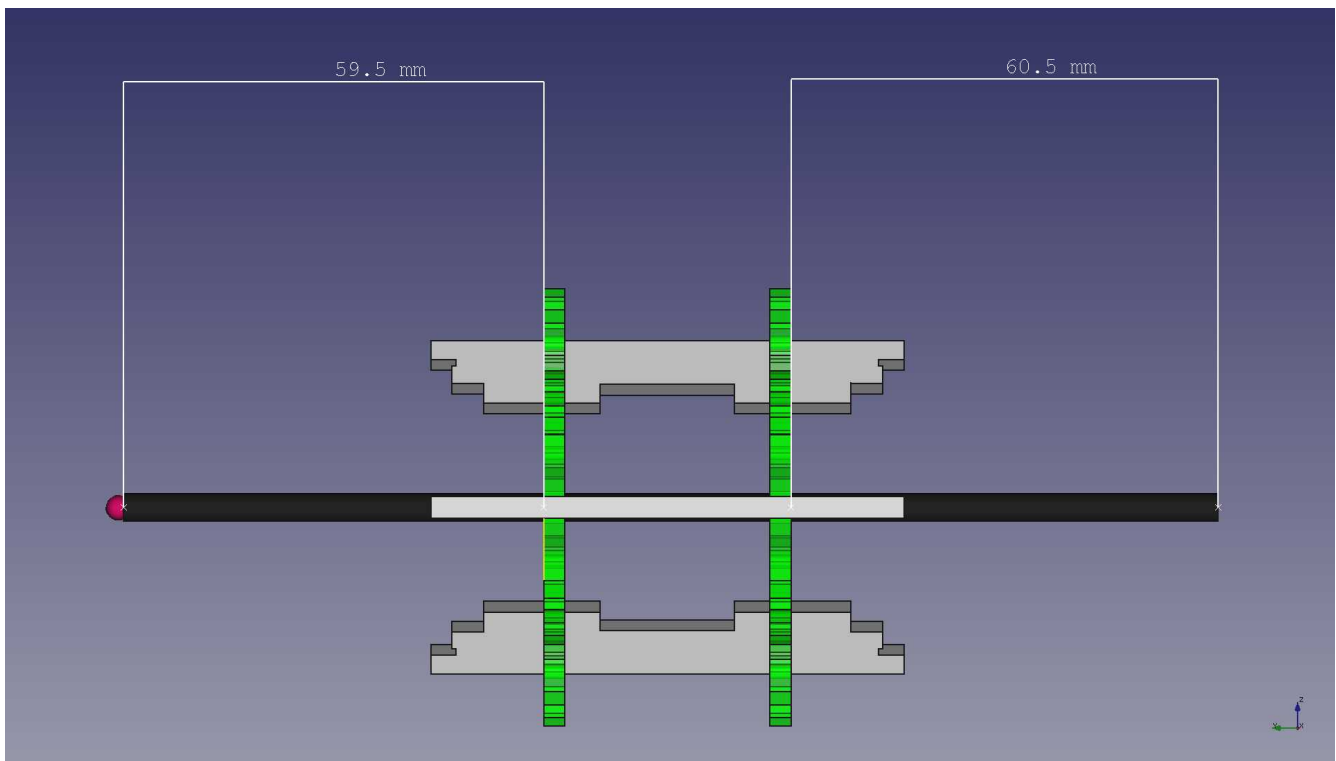
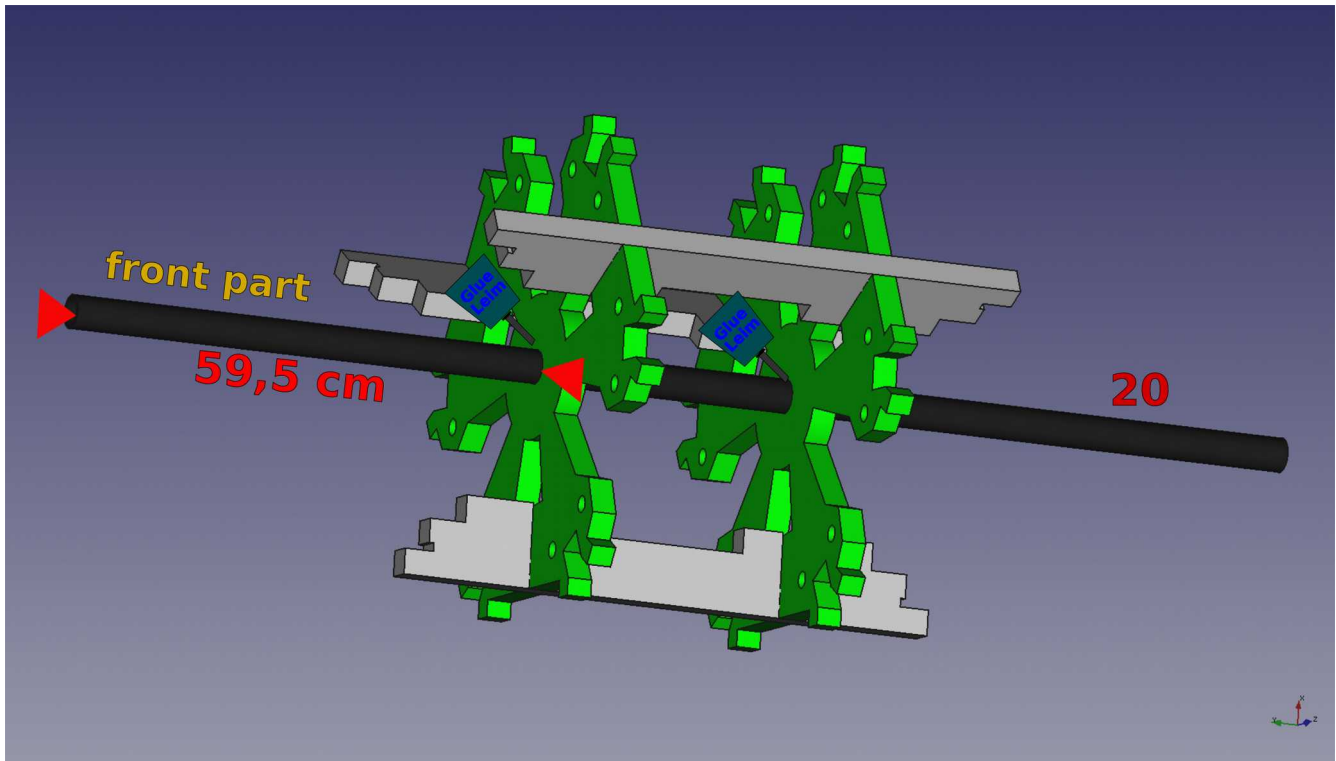
alternative configuration of the magnets



Put together the spool

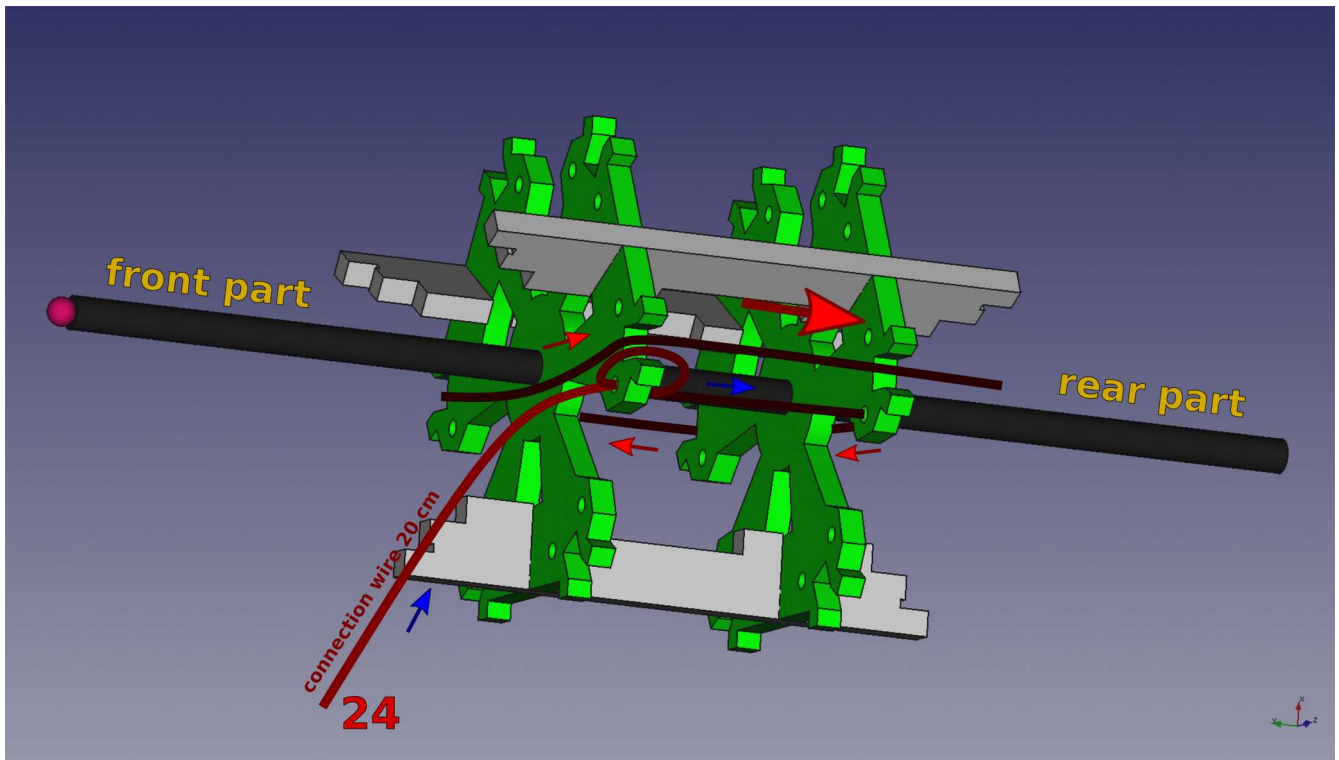


Insert the shaft

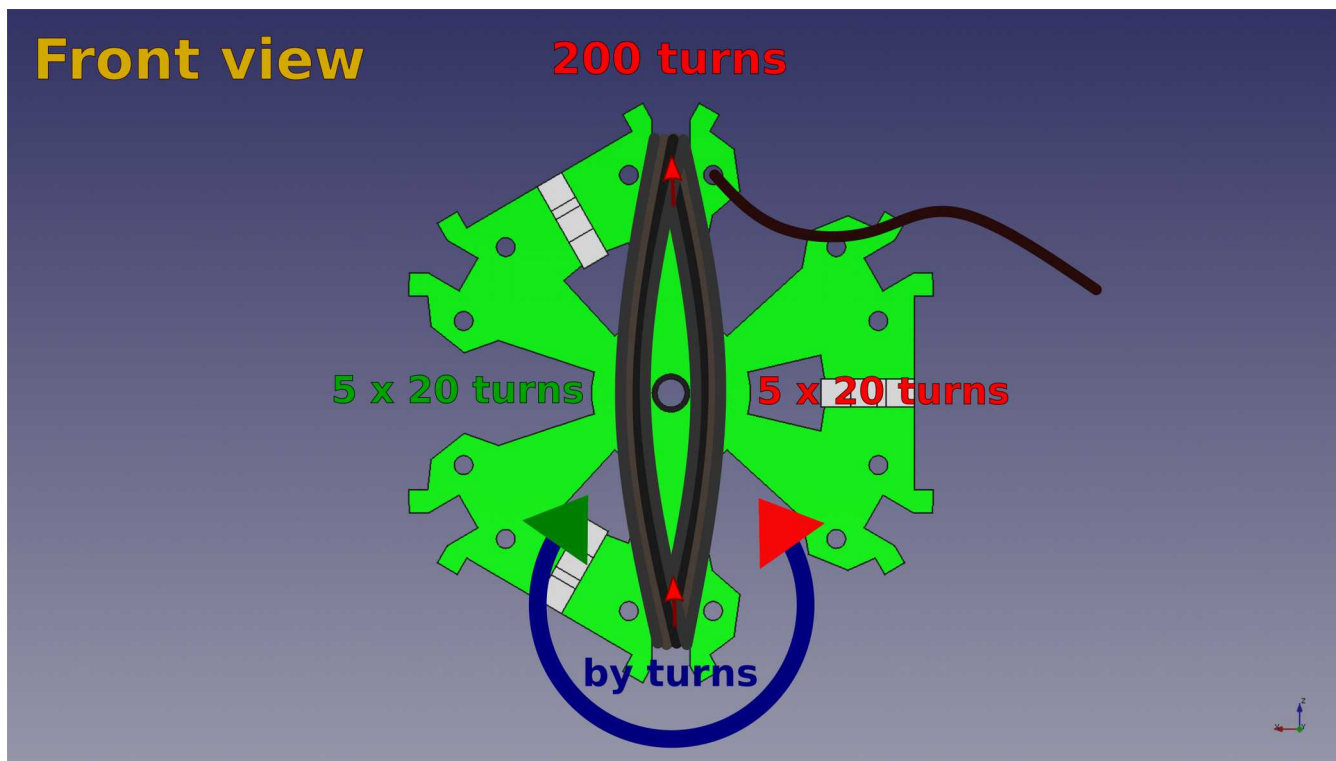
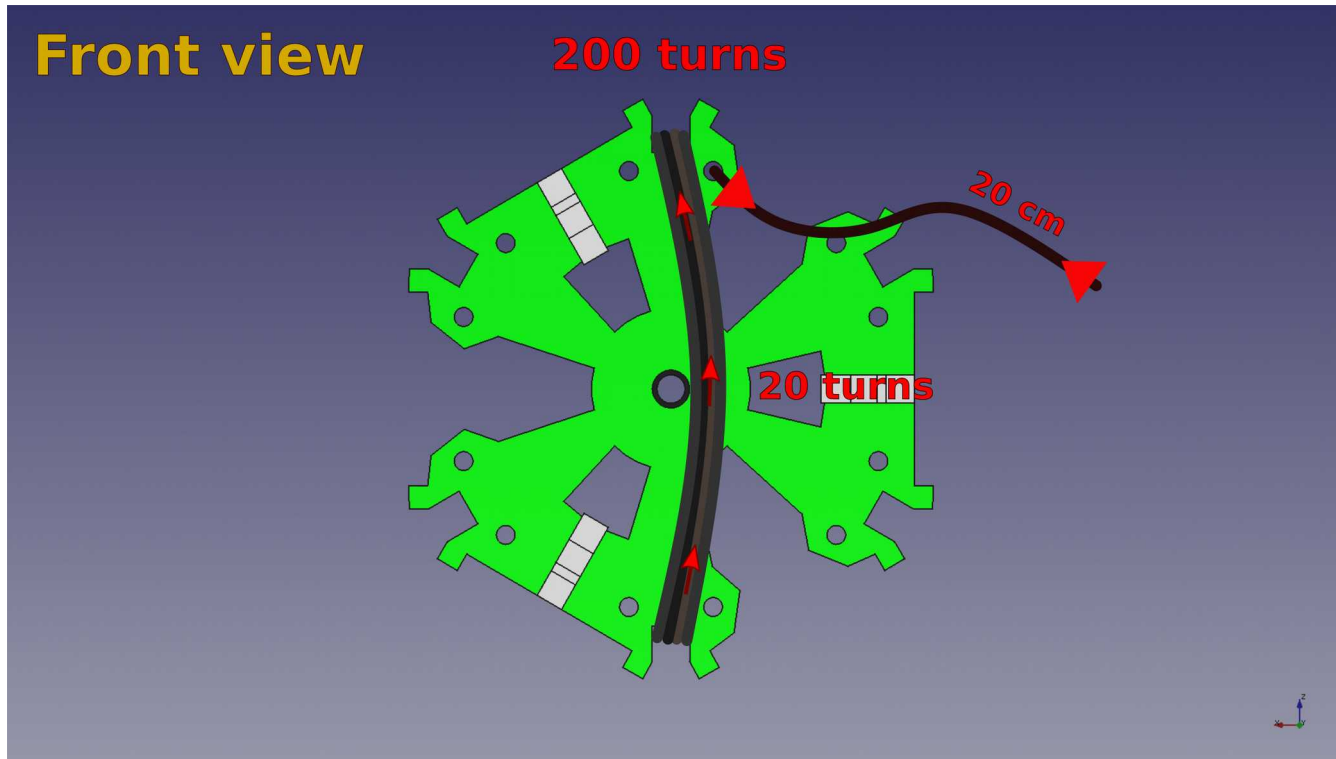


Coil winding

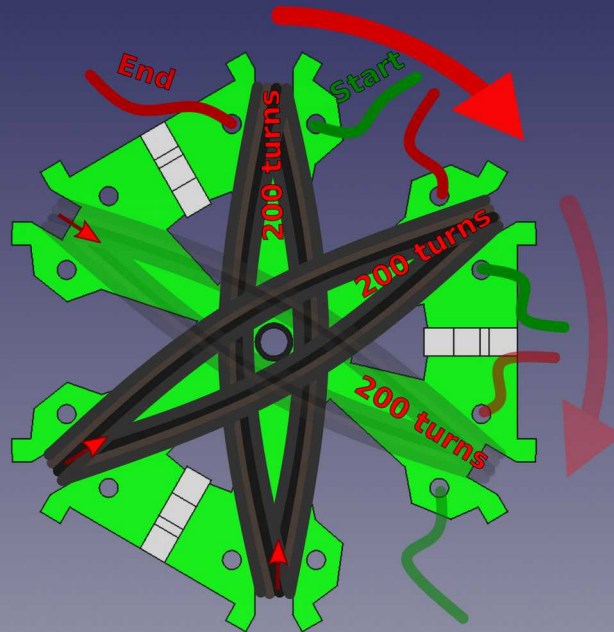
winding start



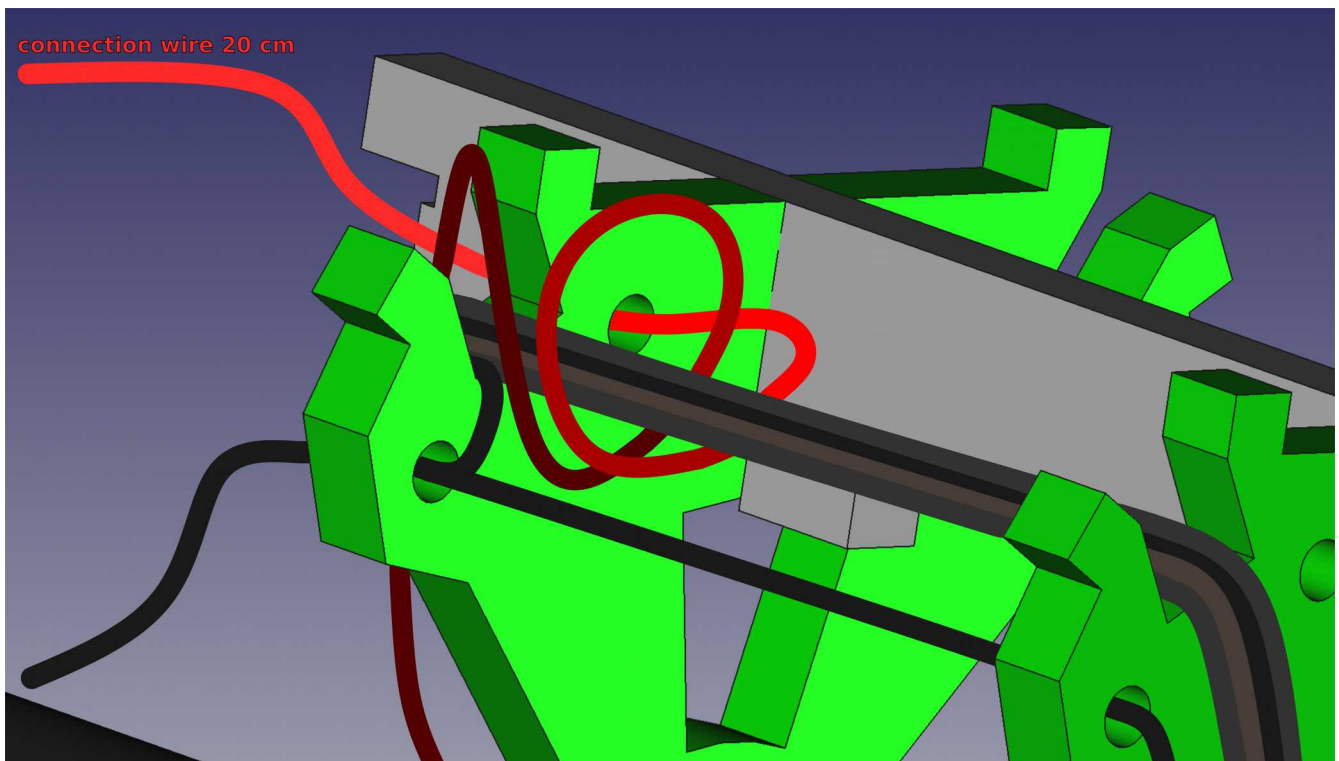
winding turns



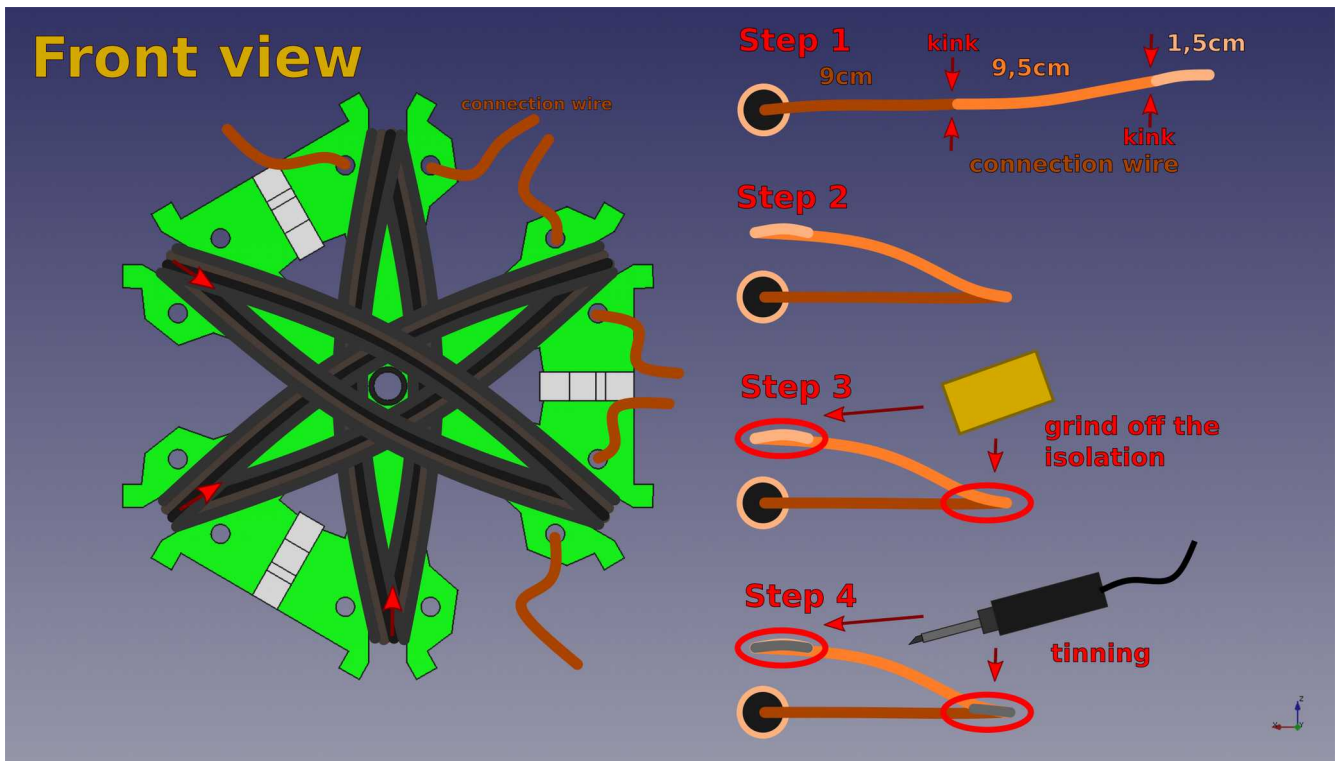
Front view



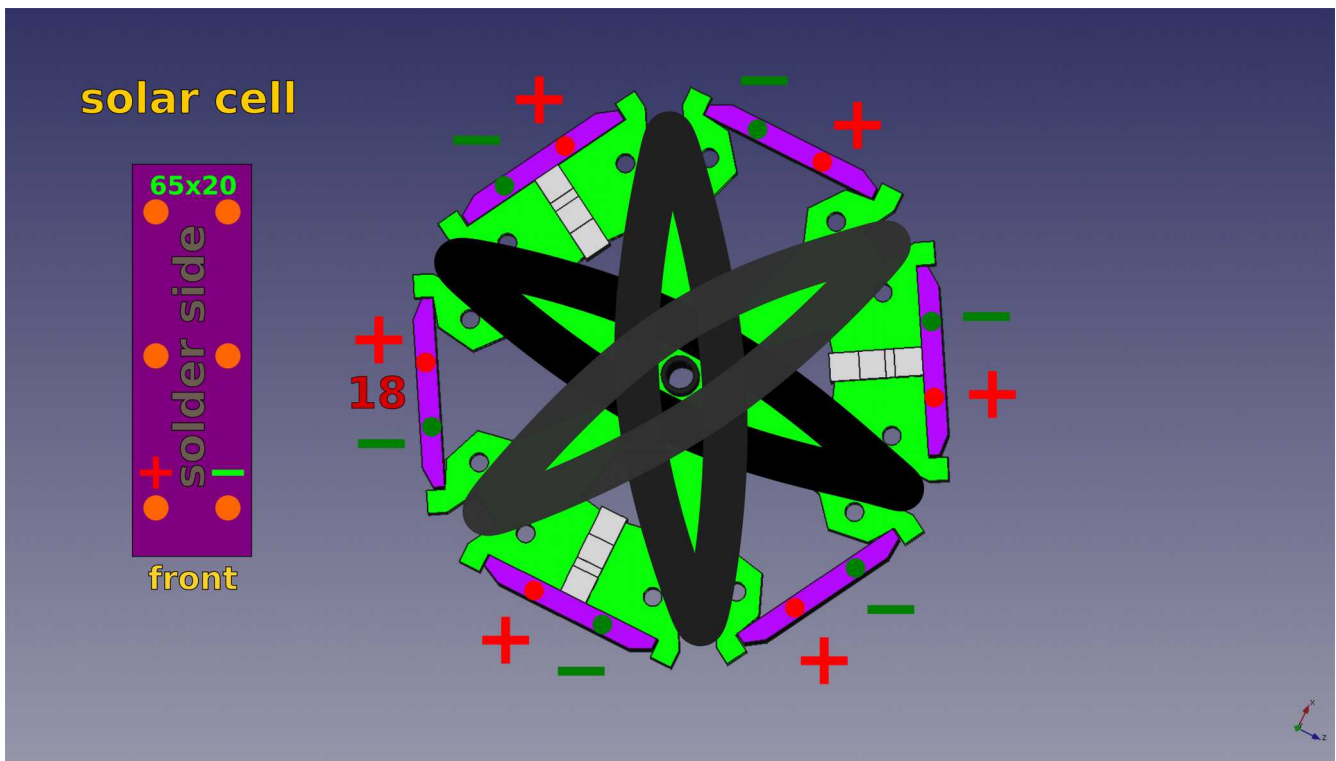
winding end



Prepare the wires

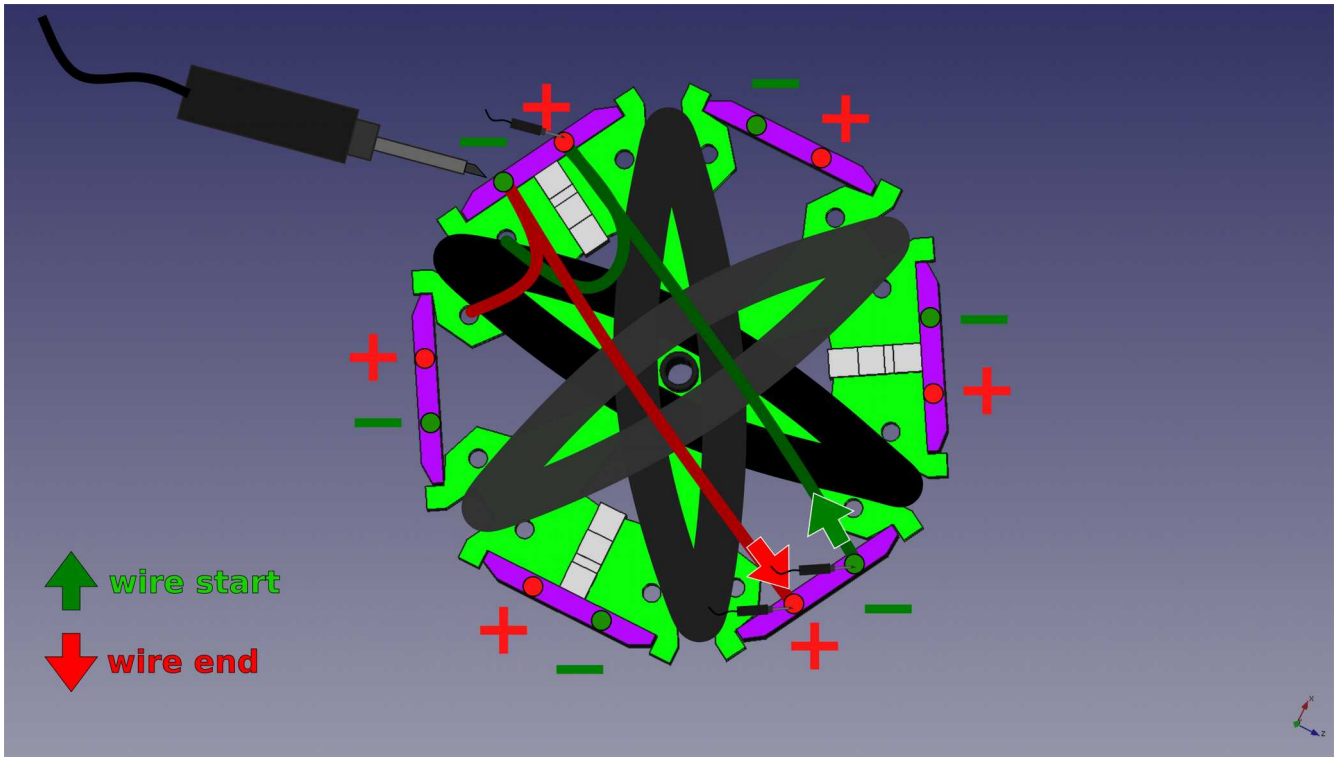


Mounting the solar cells (use a tape to fix the cell)

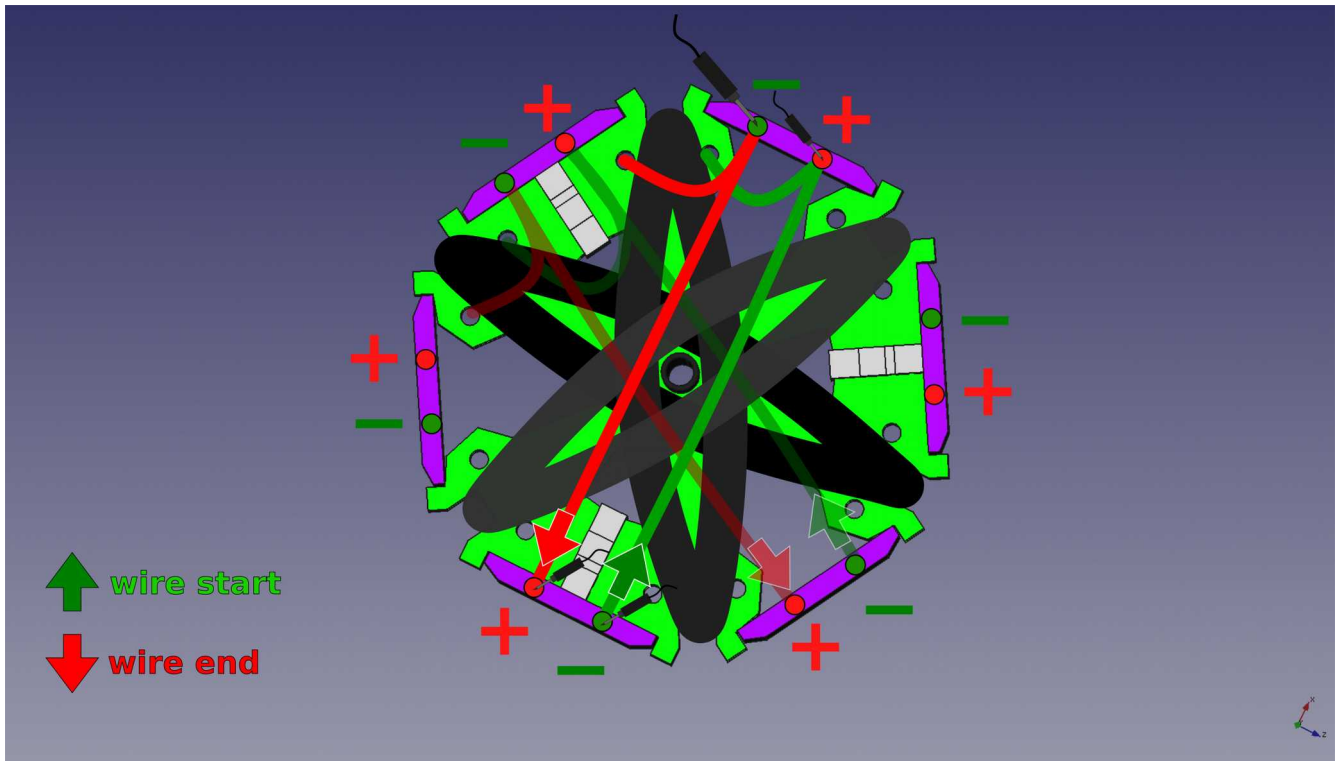


Solder the wire

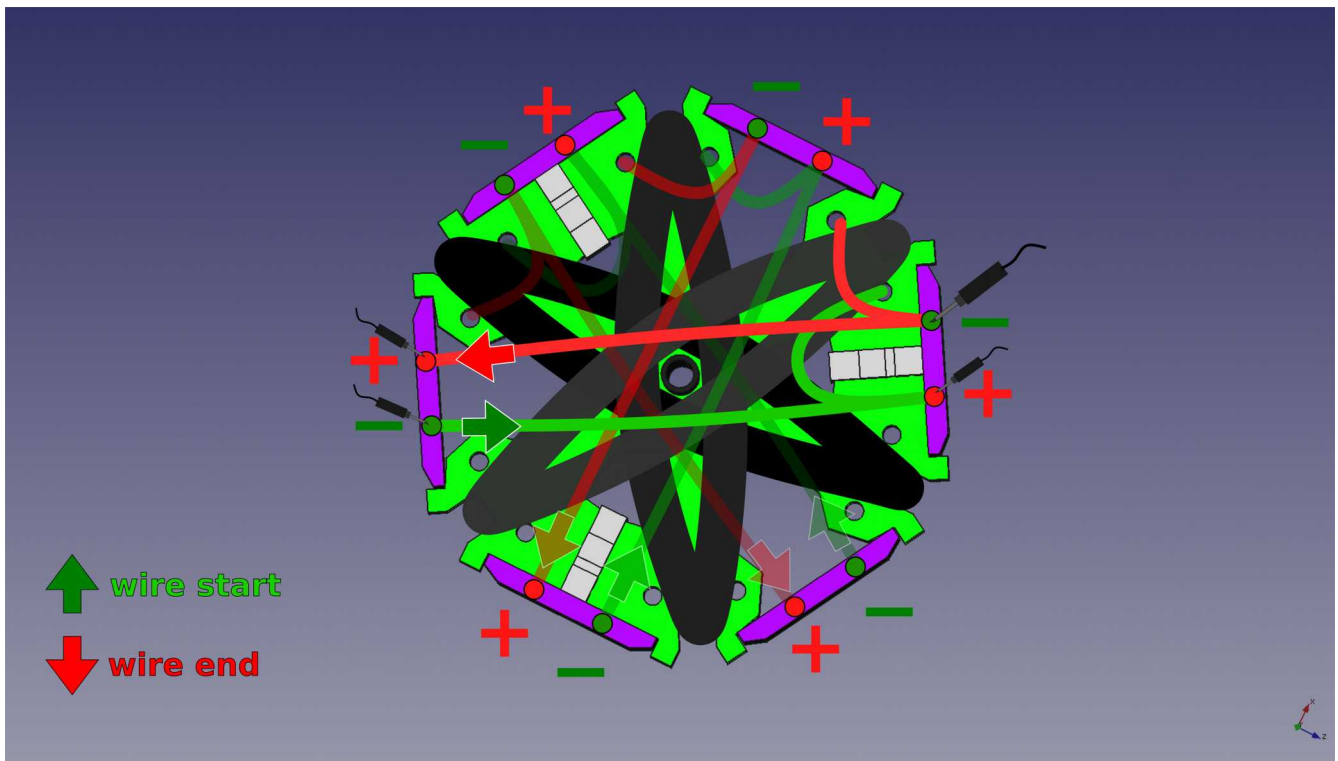
coil one



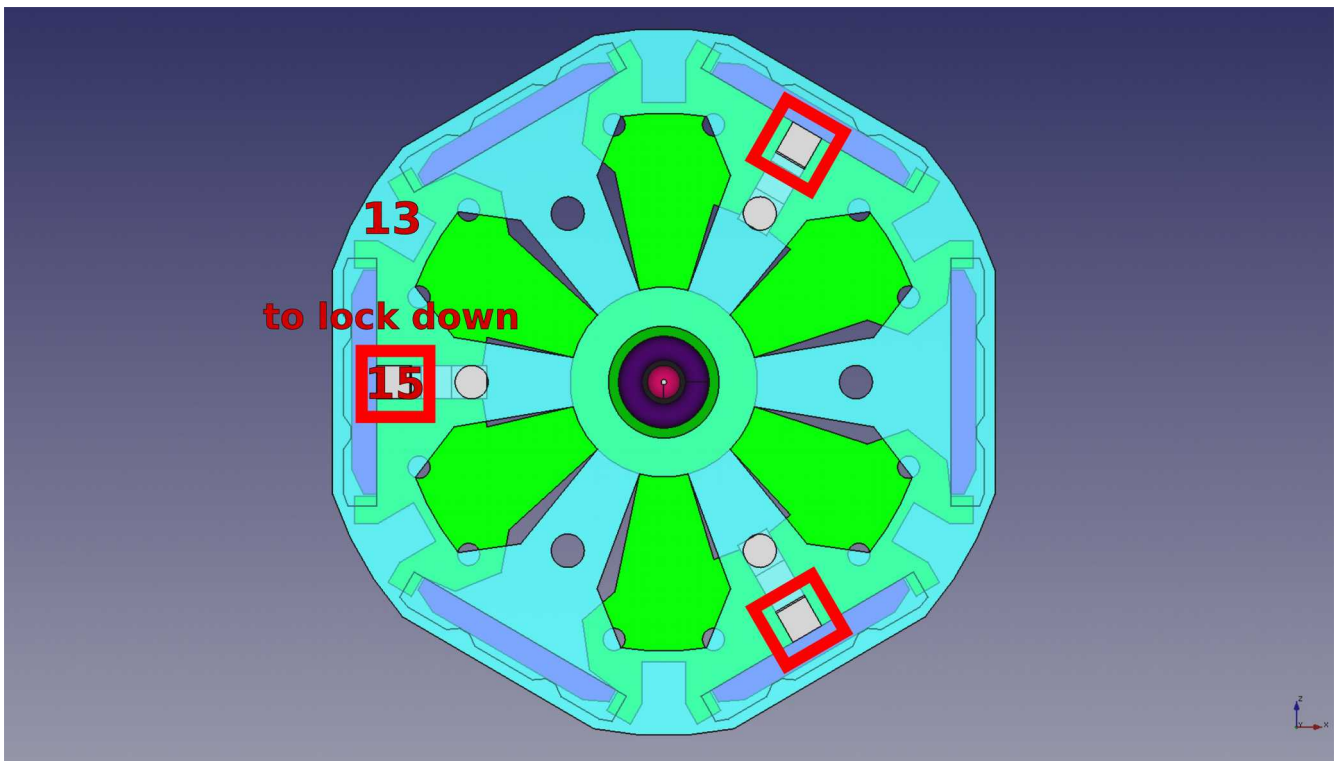
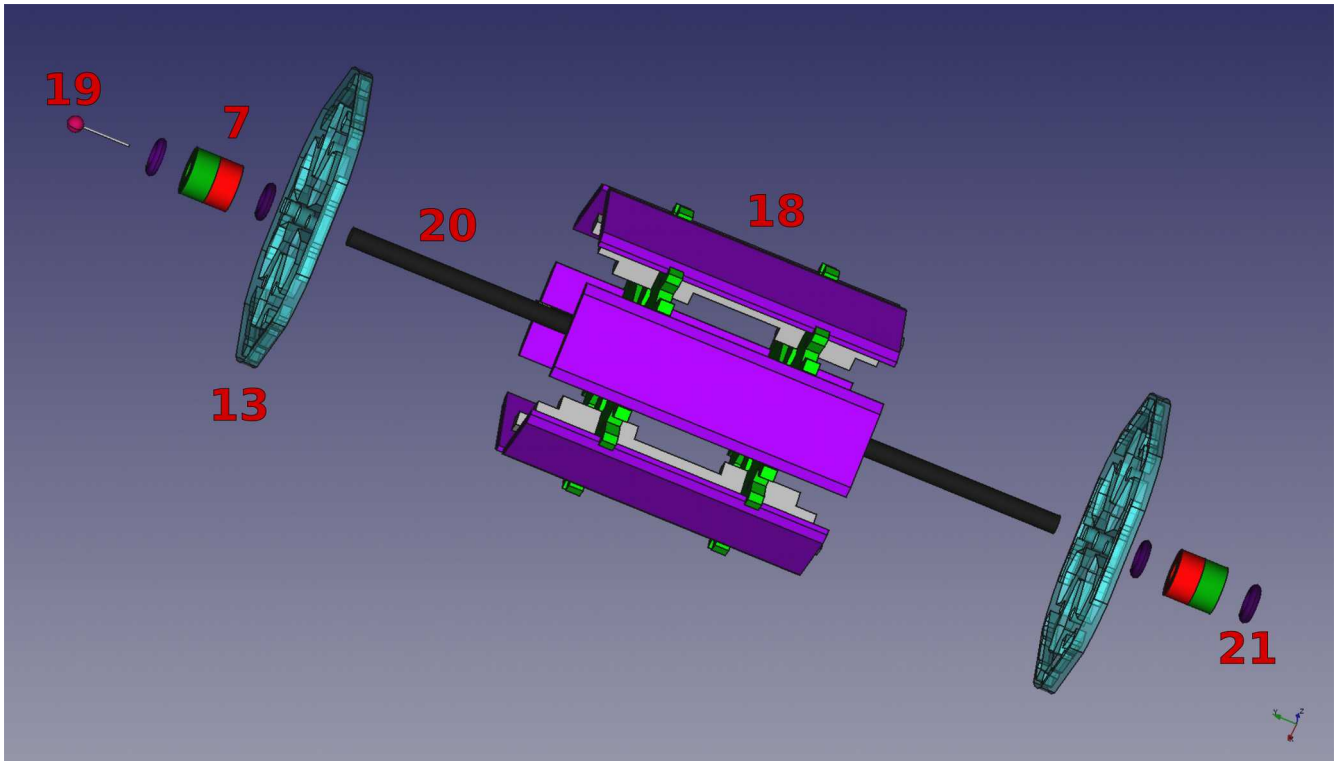
coil two



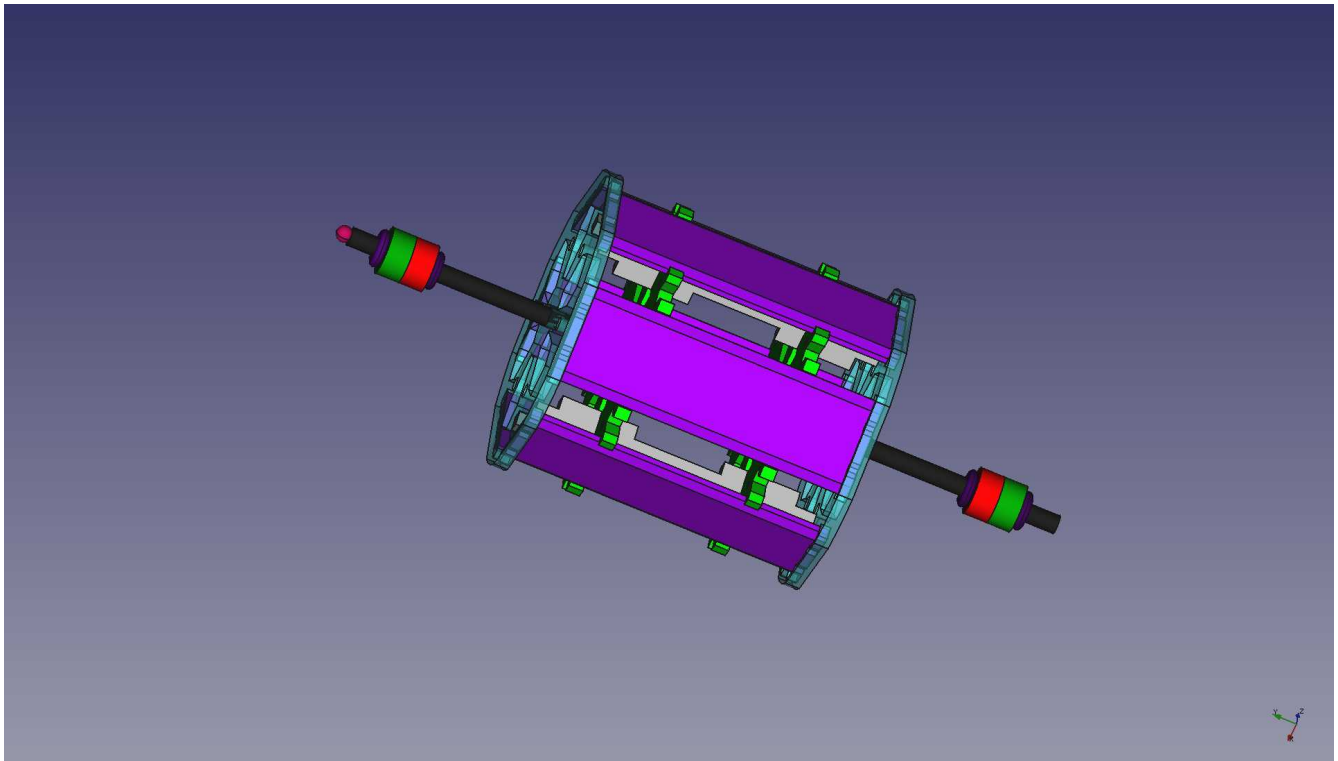
coil three



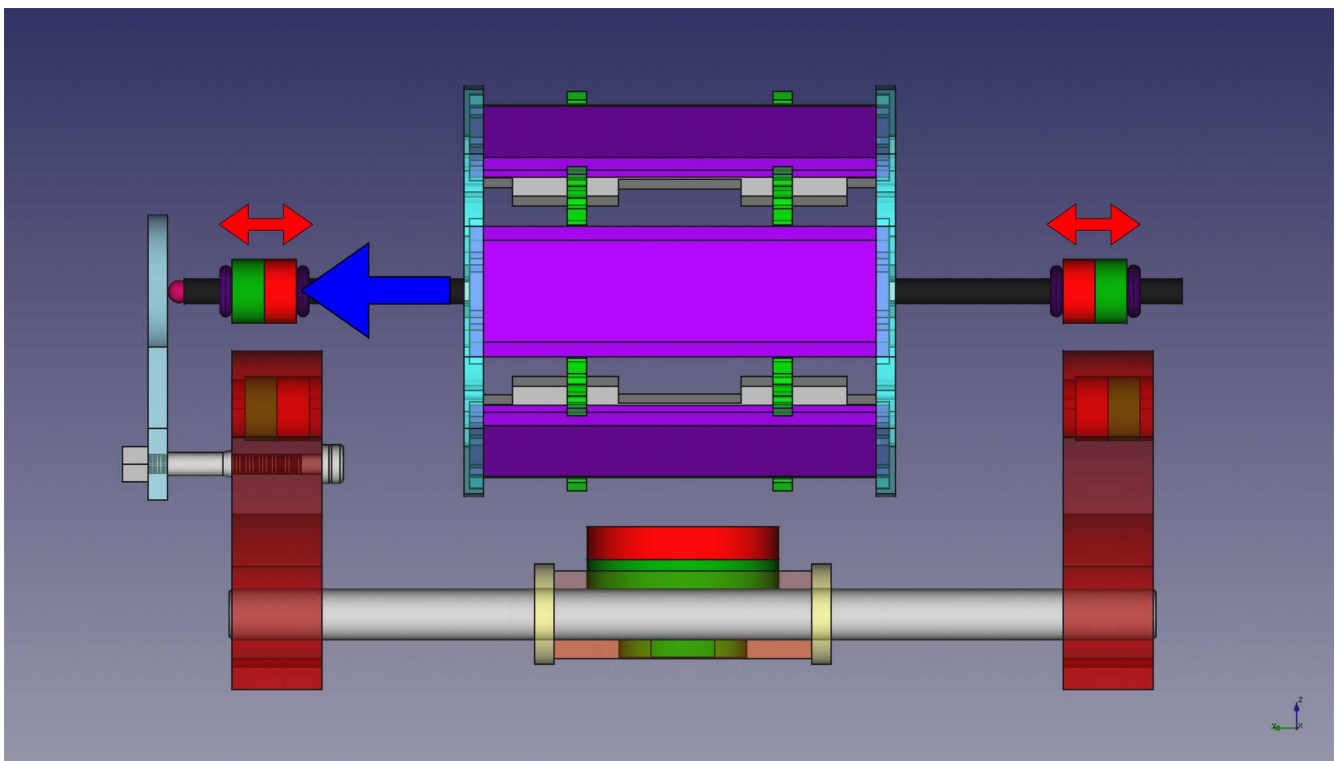
Assemble the rotor



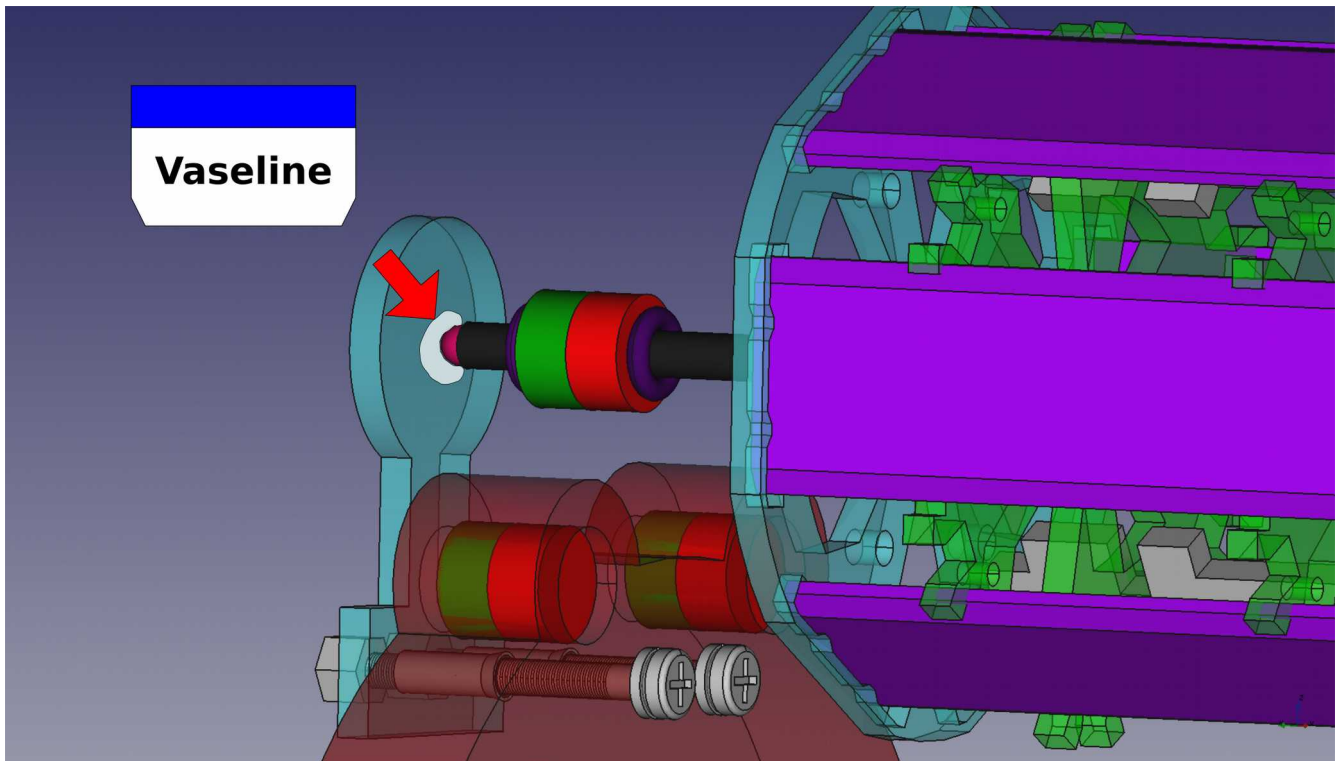
assembled



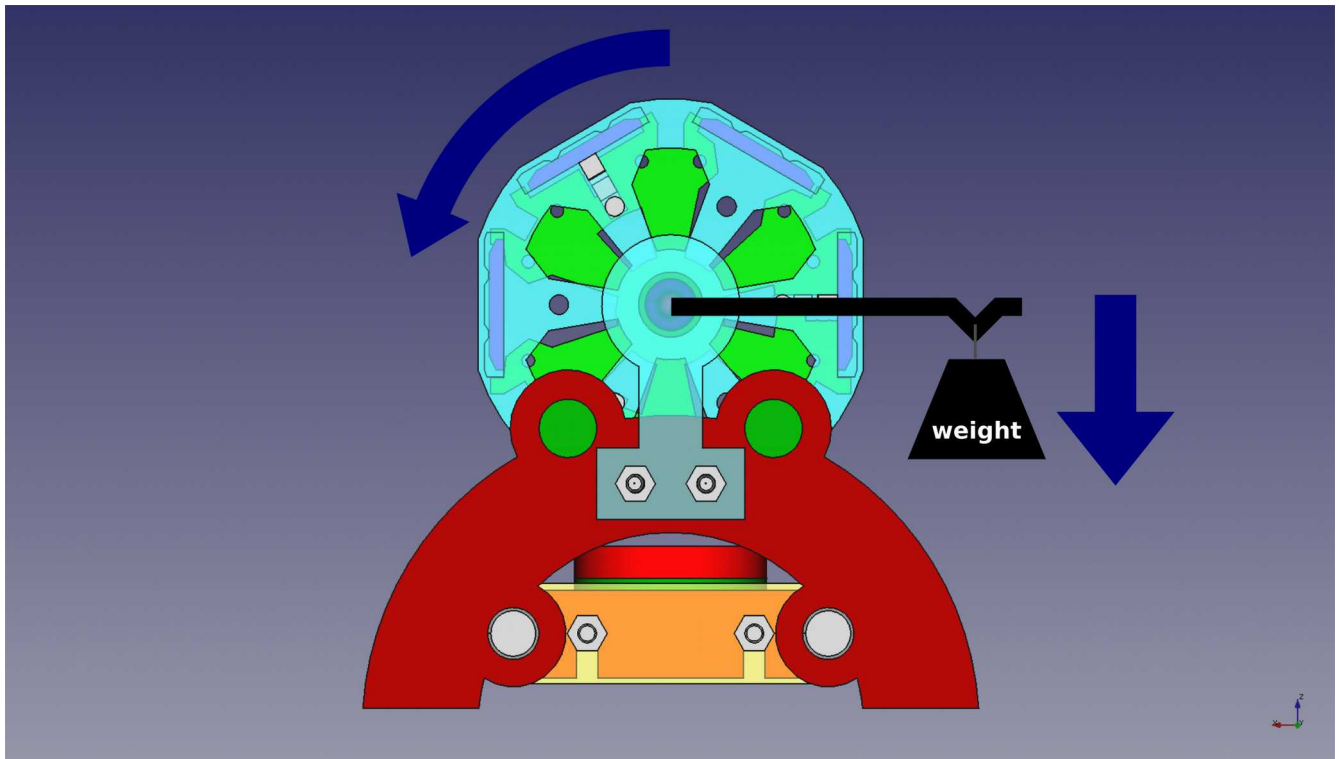
Adjust the magnets



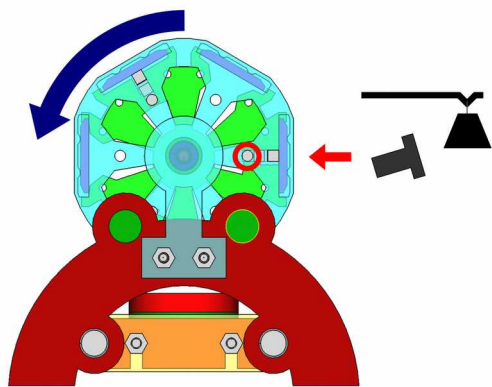
Grease the stop plate



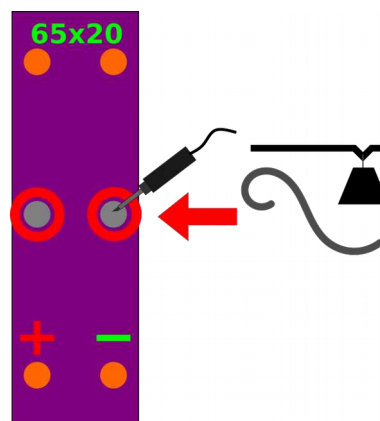
Rotor balance



Solution 1



Solution 2



**We are delighted that you
have chosen this kit.**

THANK YOU